

- NOTES:
1. HIDDEN LINES ARE USED TO SHOW POLARIZATION WHEN USING -N OPTION.
 2. © REPRESENTS A CRITICAL DIMENSION.
 3. FFSD CABLE ASSEMBLIES ARE LEAD FREE.
 4. ALL ASSEMBLIES TO BE 100% ELECTRICALLY TESTED FOR SHORTS AND OPENS.
 5. ALL ASSEMBLIES TO BE 100% HI-POT TESTED AT 630V. (C3)
 6. STRAIN RELIEF TO WITHSTAND 5LB[22N] STRAIGHT PULL.
 7. NOTE DELETED.
 8. WHEN CUTTING CABLE TO LENGTH, CONDUCTORS MAY NOT EXTEND PAST THE CABLE INSULATION. (PER ROW)

DO NOT SCALE FROM THIS PRINT

nLIGHT#:
25-05844-01
ASP-165819-01
 like:
FFSD-10-
D-01.00-01--N

FFSD-XX-X-XX.XX-01-X-X-XXX

- OPTION
- RW: REVERSE WIRING (NOT AVAILABLE WITH -RN1 OR -RN2)
 - D"XX": DAISY CHAIN (MINIMUM 2.00[50.8], 1.00[25.4] INCREMENTS)
 - R: REVERSED
 - RN1: REVERSE POLARIZATION NOTCH (NOT AVAILABLE WITH -RW OR -RN2)
 - RN2: REVERSE POLARIZATION NOTCH (NOT AVAILABLE WITH -RW OR -RN1)
 - M: MIDDLE REVERSE
 - O: OUTSIDE REVERSE
 - SR: STRAIN RELIEF (NOT AVAILABLE WITH -O, -M, -R, OR -DXX) (SOLD AS ASSEMBLIES ONLY)
- STANDARD POLARIZATION NOTCH
- N: POLARIZATION NOTCH (NOT AVAILABLE IN -02 THRU -04) (LEAVE BLANK FOR -02, -03, -04)

- No OF POSITIONS
 -02 THRU -25
- END ASSEMBLY
 -S: SINGLE END
 -D: DOUBLE END
- ASSEMBLY LENGTH
 [2.00[50.8] MINIMUM]
- LEAD STYLE
- PLATING OPTIONS
 - LEAVE BLANK FOR STANDARD, USE C-67-L
 -S: USE C-67-S
 -F: USE C-67-F

FIG. 1
 (FFSD-10-D-XX.XX-01-X-N SHOWN)

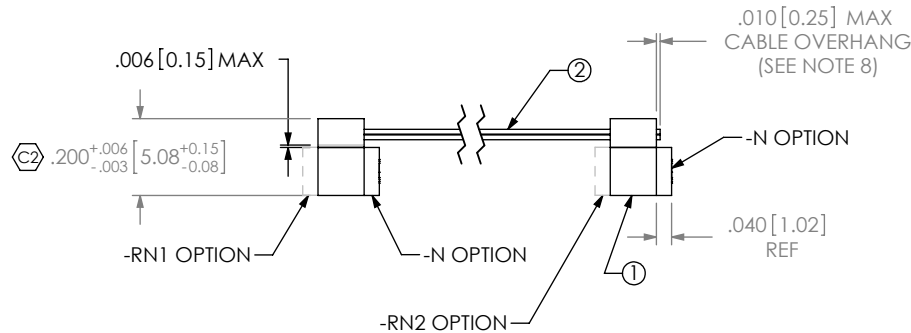
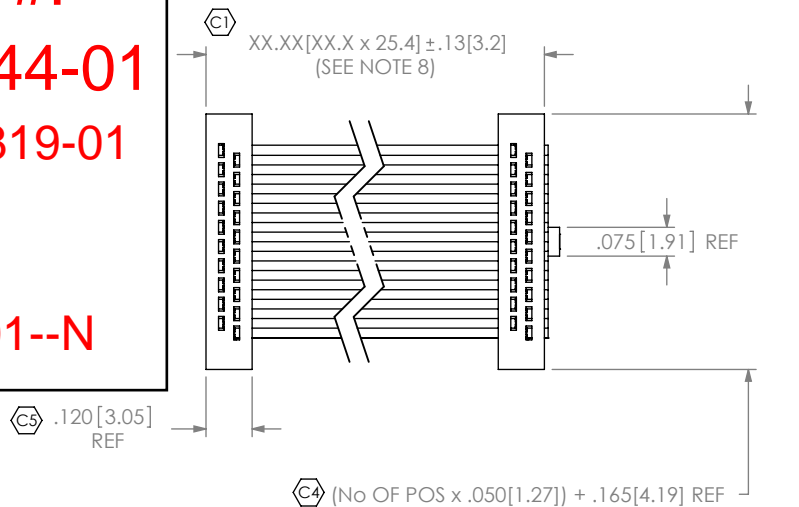


TABLE 1	
ITEM #	PART
1	FFSD-XX-01-X-N-XX
2	CB-XX-30-7/38-025-GR
3	FFSD-XX-01-X-N-SR1
4	FFSR-XX-01
5	FFSD-XX-01-X-N-SR2
6	FFSR-XX-02

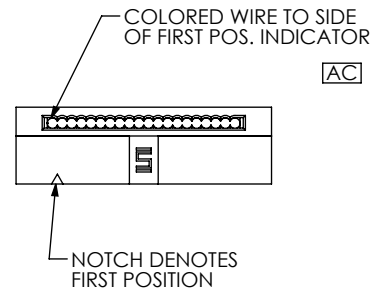


FIG. 2
 (FFSD-10-S-XX.XX-01-X-N SHOWN)
 (SAME AS FIG. 1, DIFFERENT AS SHOWN)

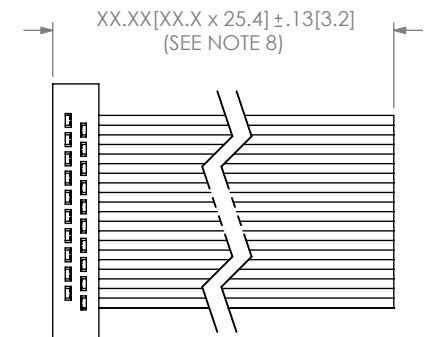
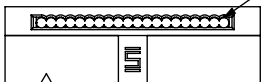


FIG. 11
 (FFSD-10-X-XX.XX-01-X-N-RW SHOWN)

COLORED WIRE TO OPPOSITE SIDE OF FIRST POS. INDICATOR



UNLESS OTHERWISE SPECIFIED, DIMENSIONS ARE IN INCHES. TOLERANCES ARE:

DECIMALS	ANGLES
.XX: ±.01 [.3]	2°
.XXX: ±.005 [.13]	
.XXXX: ±.0020 [.051]	

PROPRIETARY NOTE
 THIS DOCUMENT CONTAINS INFORMATION CONFIDENTIAL AND PROPRIETARY TO SAMTEC, INC. AND SHALL NOT BE REPRODUCED OR TRANSFERRED TO OTHER DOCUMENTS OR DISCLOSED TO OTHERS OR USED FOR ANY PURPOSE OTHER THAN THAT WHICH IT WAS OBTAINED WITHOUT THE EXPRESSED WRITTEN CONSENT OF SAMTEC, INC.

samtec

520 PARK EAST BLVD. NEW ALBANY, IN 47150
 PHONE: 812-944-6733 FAX: 812-948-5047
 e-Mail: info@SAMTEC.com code 55322

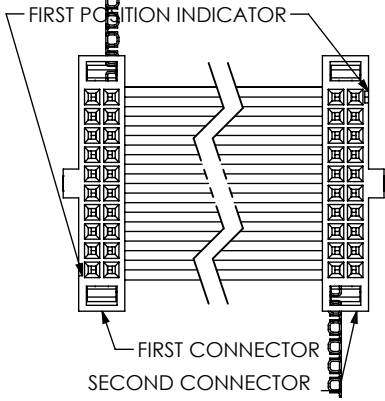
MATERIAL: DO NOT SCALE DRAWING SHEET SCALE: 2:1
 INSULATORS: PBT, COLOR: BLACK
 CONTACT: BeCu
 CABLE: TINNED COPPER, COLOR: GRAY
 PLATING: .000010 GOLD OVER .000050 NICKEL
 REMAINDER: .000200 REF TIN OVER .000050 NICKEL

DESCRIPTION:
 .050 x .050 DOUBLE ROW FEMALE IDC ASSEMBLY
 DWG. NO.
FFSD-XX-X-XX.XX-01-X-X-XXX

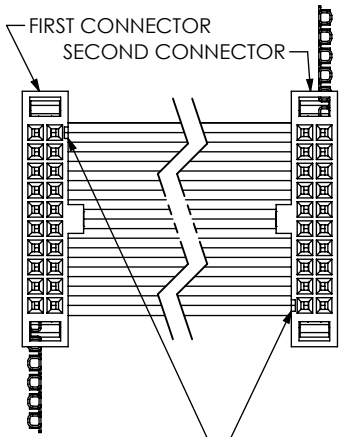
BY: T NEWTON 02/15/2008 SHEET 1 OF 3

FIG. 3

(FFSD-10-D-XX.XX-01-X-N-RN1 SHOWN)
(SAME AS FIG. 1, DIFFERENT AS SHOWN)



(FFSD-10-D-XX.XX-01-X-N-RN2 SHOWN)
(SAME AS FIG. 1, DIFFERENT AS SHOWN)



NOTE:
-RN1 = REVERSE NOTCH ON 1ST CONNECTOR ONLY
(NOT AVAILABLE WITH -R OPTION)
-RN2 = REVERSE NOTCH ON 2ND CONNECTOR ONLY
(NOT AVAILABLE WITH -R OPTION)

(REVERSE NOTCH NOT AVAILABLE WITH -RW OR ANY DAISY CHAIN OPTIONS)

FIG. 4

(FFSD-10-D-XX.XX-01-X-N-DXX-O SHOWN)
(SAME AS FIG. 1, DIFFERENT AS SHOWN)
(2.00[50.8] MINIMUM, 1.00[25.4] INCREMENTS)

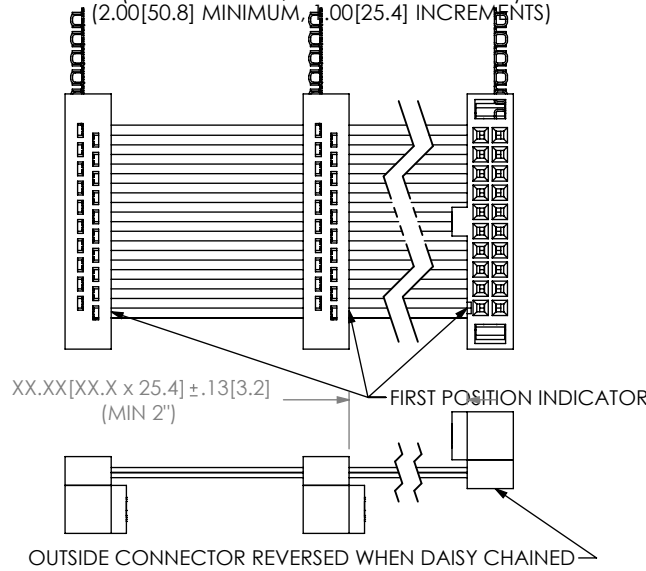


FIG. 5

(FFSD-10-D-XX.XX-01-X-N-DXX-M SHOWN)
(SAME AS FIG. 1, DIFFERENT AS SHOWN)
(2.00[50.8] MINIMUM, 1.00[25.4] INCREMENTS)

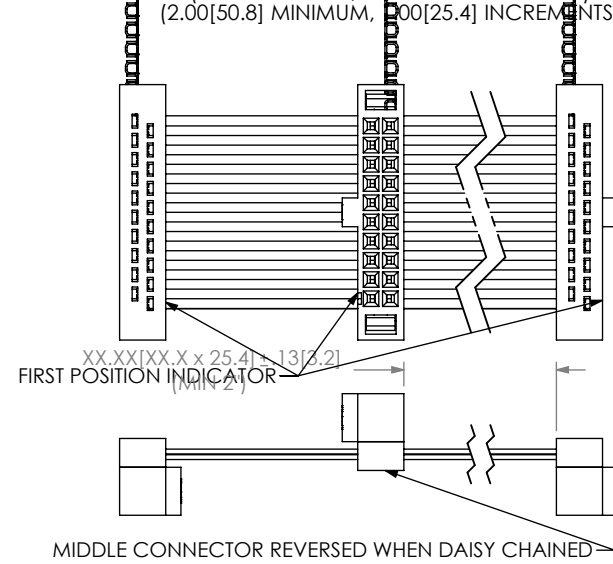


FIG. 6

(FFSD-10-D-XX.XX-01-X-N-DXX-R SHOWN)
(SAME AS FIG. 1, DIFFERENT AS SHOWN)
(NOT AVAILABLE WITH -RN1 OR -RN2 OPTION)
(2.00[50.8] MINIMUM, 1.00[25.4] INCREMENTS)

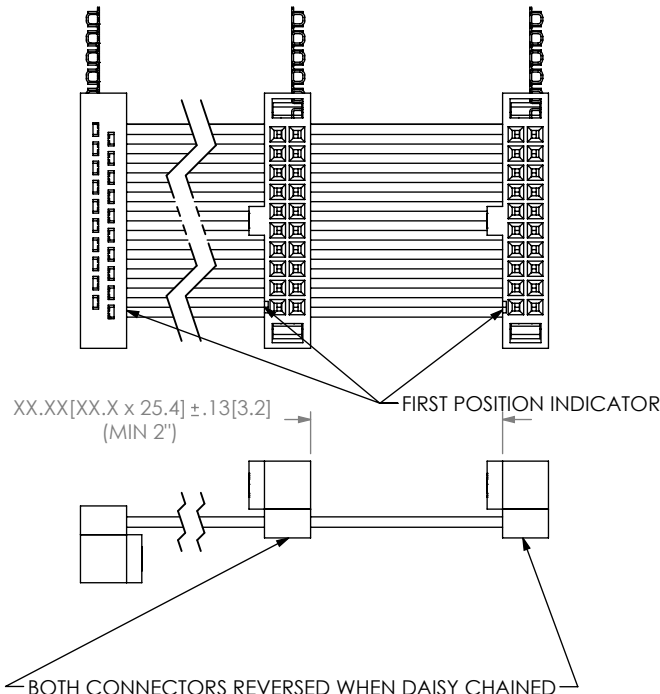
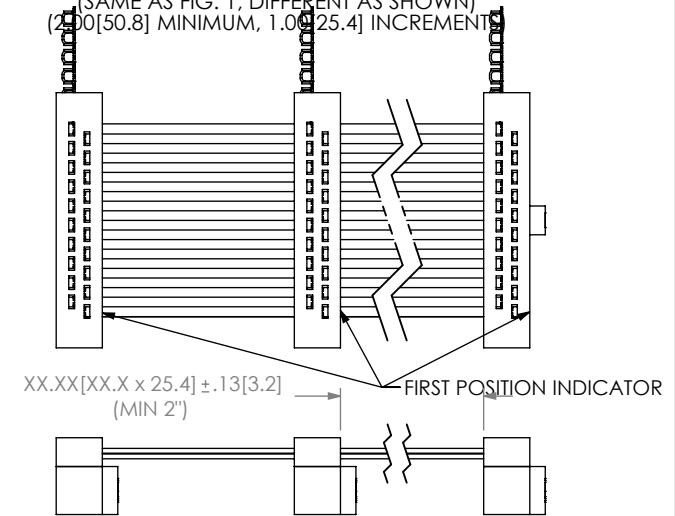


FIG. 7

(FFSD-10-D-XX.XX-01-X-N-DXX SHOWN)
(SAME AS FIG. 1, DIFFERENT AS SHOWN)
(2.00[50.8] MINIMUM, 1.00[25.4] INCREMENTS)



PROPRIETARY NOTE

THIS DOCUMENT CONTAINS INFORMATION CONFIDENTIAL AND PROPRIETARY TO SAMTEC, INC. AND SHALL NOT BE REPRODUCED OR TRANSFERRED TO OTHER DOCUMENTS OR DISCLOSED TO OTHERS OR USED FOR ANY PURPOSE OTHER THAN THAT WHICH IT WAS OBTAINED WITHOUT THE EXPRESSED WRITTEN CONSENT OF SAMTEC, INC.

DO NOT SCALE DRAWING

SHEET SCALE: 2:1



520 PARK EAST BLVD. NEW ALBANY, IN 47150
PHONE: 812-944-6733 FAX: 812-948-5047
e-Mail: info@SAMTEC.com code 55322

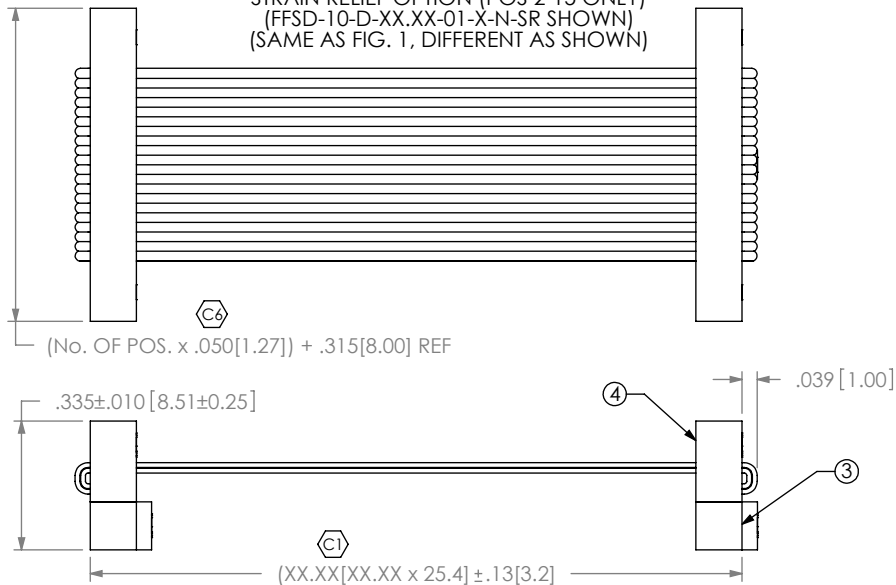
DESCRIPTION:
.050 x .050 DOUBLE ROW FEMALE IDC ASSEMBLY

DWG. NO.
FFSD-XX-X-XX.XX-01-X-X-XXX

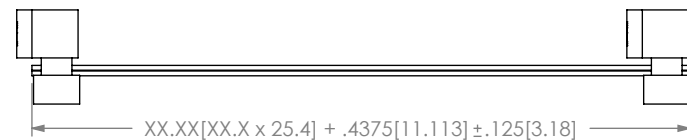
BY: T NEWTON 02/15/2008 SHEET 2 OF 3

FIG. 9

STRAIN RELIEF OPTION (POS 2-15 ONLY)
(FFSD-10-D-XX.XX-01-X-N-SR SHOWN)
(SAME AS FIG. 1, DIFFERENT AS SHOWN)



IN-PROCESS 1
(2-15 POS -SR ONLY)



IN-PROCESS 2
(2-15 POS -SR ONLY)

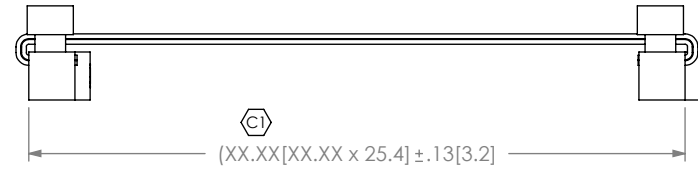
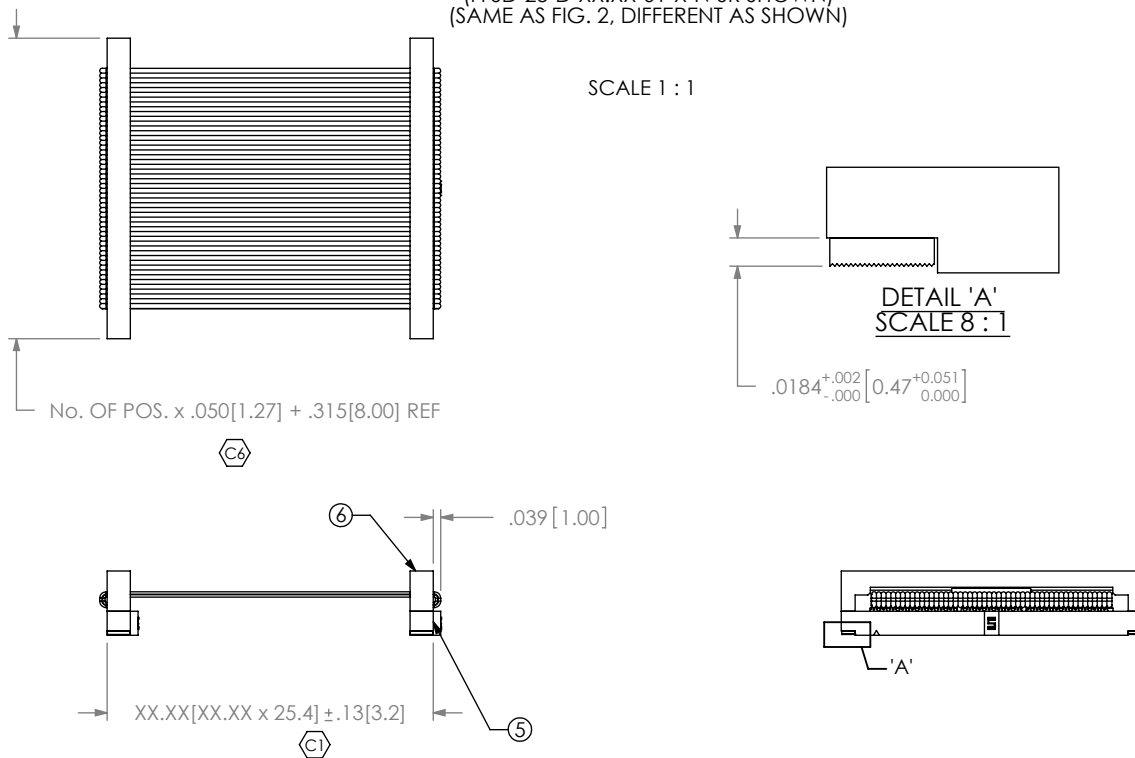


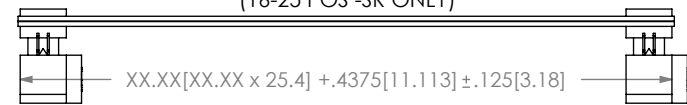
FIG. 10

STRAIN RELIEF OPTION (POS 16-25 ONLY)
(FFSD-25-D-XX.XX-01-X-N-SR SHOWN)
(SAME AS FIG. 2, DIFFERENT AS SHOWN)

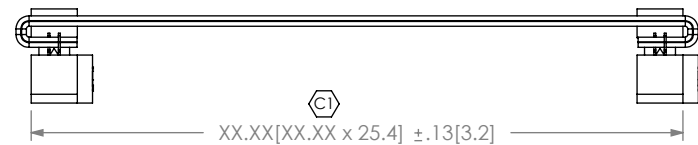
SCALE 1 : 1



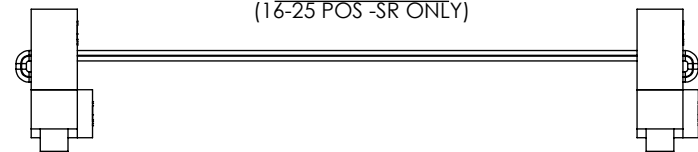
IN-PROCESS 1
(16-25 POS -SR ONLY)



IN-PROCESS 2
(16-25 POS -SR ONLY)



IN-PROCESS 3
(16-25 POS -SR ONLY)



PROPRIETARY NOTE

THIS DOCUMENT CONTAINS INFORMATION CONFIDENTIAL AND PROPRIETARY TO SAMTEC, INC. AND SHALL NOT BE REPRODUCED OR TRANSFERRED TO OTHER DOCUMENTS OR DISCLOSED TO OTHERS OR USED FOR ANY PURPOSE OTHER THAN THAT WHICH IT WAS OBTAINED WITHOUT THE EXPRESSED WRITTEN CONSENT OF SAMTEC, INC.

DO NOT SCALE DRAWING

SHEET SCALE: 2:1



520 PARK EAST BLVD, NEW ALBANY, IN 47150
PHONE: 812-944-6733 FAX: 812-948-5047
e-Mail: info@SAMTEC.com code 55322

DESCRIPTION:
.050 x .050 DOUBLE ROW FEMALE IDC ASSEMBLY

DWG. NO.
FFSD-XX-X-XX.XX-01-X-X-XXX

BY: T NEWTON 02/15/2008 SHEET 3 OF 3