

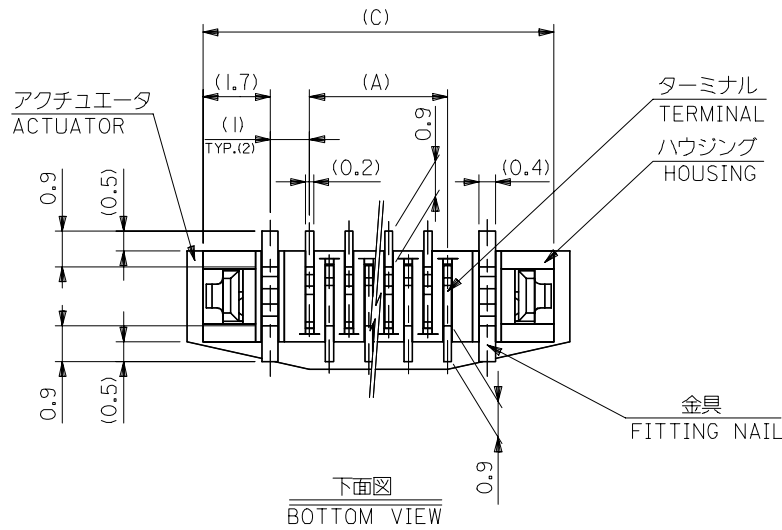
注記 NOTES

- 使用材料 : MATERIAL
 - ハウジング HOUSING : 46NYLON UL94V-0
 - アクチュエータ ACTUATOR : PPS UL94V-0
 - ターミナル TERMINAL : リン青銅 (t=0.2) PHOS-BRO
 - 接点部 金メッキ 0.1マイクロメートル以上 CONTACT GOLD 0.1 MICROMETER MINIMUM
 - 半田付け部 錫メッキ 1.0マイクロメートル以上 TAIL TIN 1.0 MICROMETER MINIMUM
 - ニッケル下地 1.0マイクロメートル以上 NICKEL (UNDER PLATING) 1.0 MICROMETER MINIMUM
 - 金具 FITTING NAIL : リン青銅 (t=0.4) PHOS-BRO
 - 錫メッキ 1.0マイクロメートル以上 TIN 1.0 MICROMETER MINIMUM
 - ニッケル下地 1.0マイクロメートル以上 NICKEL (UNDER PLATING) 1.0 MICROMETER MINIMUM
- エンボステープ梱包時は、アクチュエータがロックした状態とする。
IN THE PACKAGE, ACTUATOR OF PART NO. 52559-**79 SHOULD BE LOCKED.
- ソルダータール半田付け面のスレ量、及び金具半田付け面のスレ量は、基準面 [G] に対し上方向 0.05 MAX. , 下方向 0.15 MAX. とする。
MISALIGNMENT OF SOLDER TAILS AND FITTING NAILS FROM [G] UPPER DIRECTION: 0.05 MAX. , LOWER DIRECTION: 0.15 MAX.
- 偶数極に適用。
APPLY FOR EVEN CIRCUIT.
- パターンはくり止め用金具。
FITTING NAIL FOR PREVENTION OF PEELING OF P.C.B. PATTERN.
- RO. 3は、FPCの導体部にかからないこと。
RO.3 MUST NOT BE OVERLAPPED TO PATTERN OF FPC.

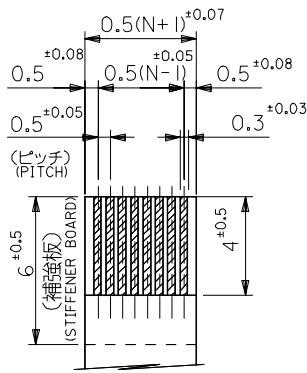
25-05588

MODEL NO. 52559-**79

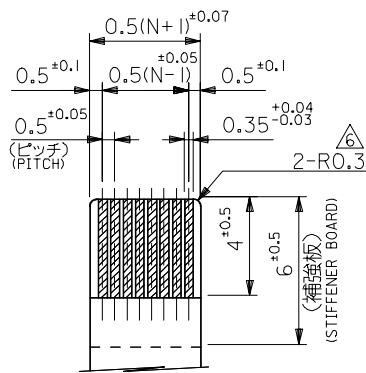
RELEASED EC NO: J2005-0174 DRAWN: MNABE1 2004/07/14 CHKD: KTOJO 2004/07/14 APPR: NUKITA 2004/07/14 REV: 0	GENERAL TOLERANCES (UNLESS SPECIFIED)		DIMENSION STYLE MM ONLY		SCALE ---	DESIGN UNITS METRIC	THIRD ANGLE PROJECTION	
	10 UNDER	±0.2	DRAWN BY MNABE1	DATE '04/07/13	TITLE 0.5 FPC CONN ASSY ZIF.			
	10 OVER 30 UNDER	±0.25	CHECKED BY KTOJO	DATE '04/07/13	-LEAD FREE-			
	30 OVER	±0.3	APPROVED BY NUKITA	DATE '04/07/13	molex MOLEX INCORPORATED			
	ANGULAR	±3 °	MATERIAL NO. SEE CHART	DOCUMENT NO. SD-52559-048	SHEET NO. 1 OF 2			
DRAFT WHERE APPLICABLE MUST REMAIN WITHIN DIMENSIONS		SIZE A3		THIS DRAWING CONTAINS INFORMATION THAT IS PROPRIETARY TO MOLEX INCORPORATED AND SHOULD NOT BE USED WITHOUT WRITTEN PERMISSION				



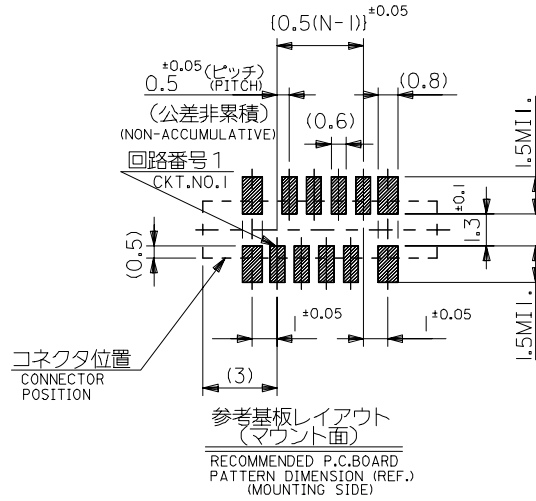
下面図
BOTTOM VIEW



適合FPC推奨寸法
APPLICABLE FPC
RECOMMENDED DIMENSION.
(仕上がり厚さ: 0.3^{+0.05})
(THICKNESS: 0.3^{+0.05})



適合FPC推奨寸法
APPLICABLE FPC
RECOMMENDED DIMENSION.
(仕上がり厚さ: 0.3^{+0.05})
(THICKNESS: 0.3^{+0.05})

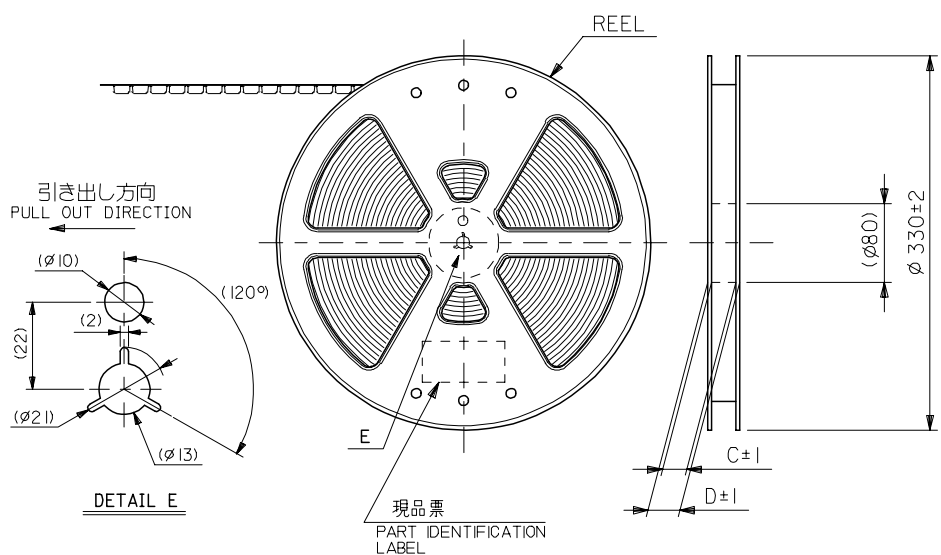


FPCについて：
打抜き方向は導体側から補強板側を推奨致します。
補強フィルム材質はポリイミドを推奨致します。
接着剤は熱硬化接着剤を推奨致します。

ABOUT FPC :
RECOMMENDED PUNCHER DIRECTION : FROM CONDUCTOR SIDE TO STIFFENER BOARD SIDE.
RECOMMENDED MATERIAL :
STIFFENER FILM : POLYIMIDE
BONDING AGENT : THERMOSETTING BONDING AGENT

25.7	24.9	20.65	19.5	52559-4079	40
23.7	22.9	18.65	17.5	-3679	36
22.2	21.4	17.15	16.0	-3379	33
21.7	20.9	16.65	15.5	-3279	32
21.2	20.4	16.15	15.0	-3179	31
20.7	19.9	15.65	14.5	-3079	30
20.2	19.4	15.15	14.0	-2979	29
19.7	18.9	14.65	13.5	-2879	28
19.2	18.4	14.15	13.0	-2779	27
18.7	17.9	13.65	12.5	-2679	26
18.2	17.4	13.15	12.0	-2579	25
17.7	16.9	12.65	11.5	-2479	24
17.2	16.4	12.15	11.0	-2379	23
16.7	15.9	11.65	10.5	-2279	22
16.2	15.4	11.15	10.0	-2179	21
15.7	14.9	10.65	9.5	-2079	20
15.2	14.4	10.15	9.0	-1979	19
14.7	13.9	9.65	8.5	-1879	18
14.2	13.4	9.15	8.0	-1779	17
13.7	12.9	8.65	7.5	-1679	16
13.2	12.4	8.15	7.0	-1579	15
12.7	11.9	7.65	6.5	-1479	14
12.2	11.4	7.15	6.0	-1379	13
11.7	10.9	6.65	5.5	-1279	12
11.2	10.4	6.15	5.0	-1179	11
10.7	9.9	5.65	4.5	-1079	10
10.2	9.4	5.15	4.0	-0979	9
9.7	8.9	4.65	3.5	-0879	8
8.7	7.9	3.65	2.5	52559-0679	6
D	C	B	(A)	MATERIAL NO.	極数 (PKT.)

RELEASED EC NO: J2005-0174 DRWN: MNABE 2004/07/14 CHKD: KTOJO 2004/07/14 APPR: NUKITA 2004/07/14 REV: 0	GENERAL TOLERANCES (UNLESS SPECIFIED)		DIMENSION STYLE MM ONLY		SCALE ---	MODEL NO. DESIGN UNITS METRIC	52559-**79
	10 UNDER	±0.2	DRAWN BY MNABE I	DATE '04/07/13	TITLE 0.5 FPC CONN ASSY ZIF.		
	10 OVER 30 UNDER	±0.25	CHECKED BY KTOJO	DATE '04/07/13	-LEAD FREE-		
	30 OVER	±0.3	APPROVED BY NUKITA	DATE '04/07/13	MOLEX INCORPORATED		
ANGULAR ±3 °		DRAFT WHERE APPLICABLE MUST REMAIN WITHIN DIMENSIONS		MATERIAL NO. SEE CHART	DOCUMENT NO. SD-52559-048	SHEET NO. 2 OF 2	
THIS DRAWING CONTAINS INFORMATION THAT IS PROPRIETARY TO MOLEX INCORPORATED AND SHOULD NOT BE USED WITHOUT WRITTEN PERMISSION							



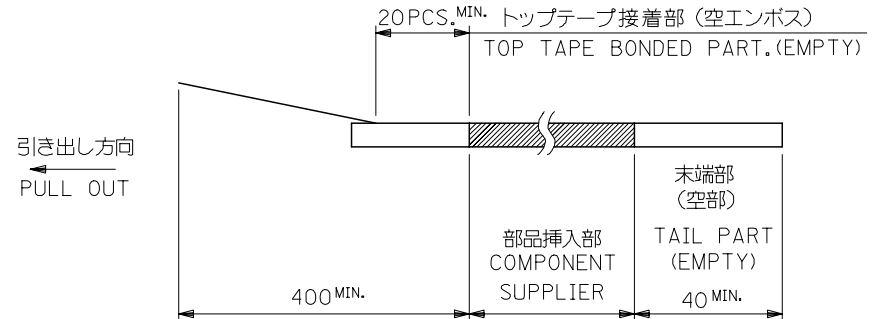
5. 材料 キャリアテープ:ポリプロピレン (PP)
 トップテープ:PET, PE, PEF
 リール:ポリスチレン (PS) <リサイクル材を含む>

MATERIAL CARRIER TAPE:POLYPROPYLENE
 TOP TAPE:PET,PE,PEF
 REEL:POLYSTYRENE (PS)
 <RECYCLE MATERIAL CONTAINED>

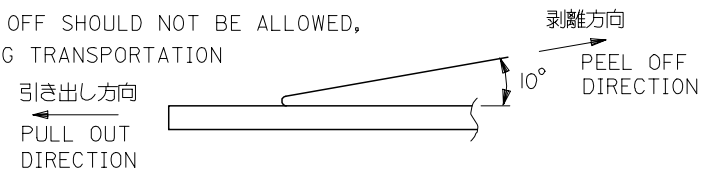
6. 本製品は 52559-**52 のエンボステープ違い品である。
 THIS PRODUCT IS EMBOSSED TAPE DIFFERENCE ARTICLE OF 52559-**52.

注記 NOTES

- 製品番号 52559-**79 の梱包状態はアクチュエータがロックした状態とする。
 IN THE PACKAGE,ACTUATOR OF PART NO.52559-**79 SHOULD BE LOCKED
 RE DETAILED DIMENSIONS,SEE SD-52559-048
- 梱包数量:1000個/リール
 NUMBER OF CONNECTORS:1000PCS/REEL
- リードテープ長さ LEAD TAPE LENGTH



- トップテープの剥離強度:(剥離方向は下図参照)
 0.1N~1.3N {10gf~130gf} 尚、本規格値は、出荷時に適用。
 (但し、輸送時に剥離が発生しない事。)
 PEELING OFF FORCE OF TOP TAPE
 0.1N~1.3N{10gf~130gf}(PEELING DIRECTION AS SHOWN IN FOLLOWING FIG.)
 THIS REQUIREMENT SHOULD BE APPLIED AT SHIPMENT
 PEEL OFF SHOULD NOT BE ALLOWED,
 DURING TRANSPORTATION



REVISED EC NO: J2006-3700 DRWN:MABEI 2006/06/16 CHKD:KTOYODA 2006/06/19 APPR:NUKITA 2006/06/22	DESCRIPTION	GENERAL TOLERANCES (UNLESS SPECIFIED)		DIMENSION STYLE MM ONLY		SCALE ---	52559-**53 MODEL NO.		
		10 UNDER ±0.2	30 UNDER ±0.25	DRAWN BY MABEI	DATE '05/04/27	TITLE 0.5 FPC CONN ASSY ZIF FOR SMT EMBSTP PKG -LEAD FREE-	DESIGN UNITS METRIC	THIRD ANGLE PROJECTION	
		10 OVER ±0.25	30 OVER ±0.3	CHECKED BY KTOJO	DATE '05/04/27	APPROVED BY NUKITA	DATE '05/04/27	MOLEX	MOLEX INCORPORATED
		ANGULAR ±3 °	DRAFT WHERE APPLICABLE MUST REMAIN WITHIN DIMENSIONS		MATERIAL NO. SEE CHART	DOCUMENT NO. SD-52559-050	SHEET NO. 1 OF 4		
D	REV	THIS DRAWING CONTAINS INFORMATION THAT IS PROPRIETARY TO MOLEX INCORPORATED AND SHOULD NOT BE USED WITHOUT WRITTEN PERMISSION							

10 9 8 7 6 5 4 3 2 1

F

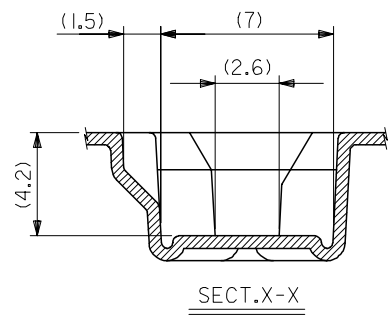
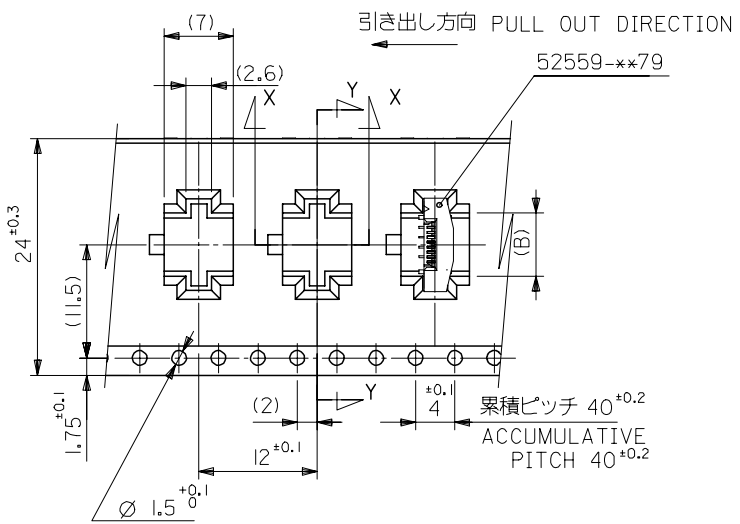
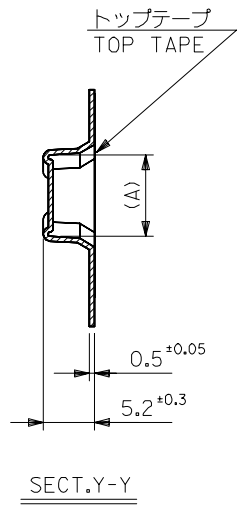
E

D

C

B

A



24mm幅キャリアテープ
24mm WIDTH CARRIER TAPE

24	29.4	25.4	14.4	17.3	52559-2453	24
			13.4	16.3	52559-2253	22
			12.4	15.3	52559-2053	20
			11.9	14.8	52559-1953	19
			11.4	14.3	52559-1853	18
			10.4	13.3	52559-1653	16
			9.9	12.8	52559-1553	15
			9.4	12.3	52559-1453	14
			8.9	11.8	52559-1353	13
			8.4	11.3	52559-1253	12
7.9	10.8	52559-1153	11			
6.4	9.3	52559-0853	8			

キャリアテープ幅 CARRIER TAPE WIDTH D C (B) (A) MATERIAL NO. 52559-xx53 MODEL NO. CIRCUIT NO.

REVISED EC NO: J2006-3700 DRW: MNABEI 2006/06/16 CHK: KTOYODA 2006/06/19 APPR: NUKITA 2006/06/22	GENERAL TOLERANCES (UNLESS SPECIFIED)		DIMENSION STYLE MM ONLY		SCALE ---	DESIGN UNITS METRIC	THIRD ANGLE PROJECTION
	10 UNDER	± 0.2	DRAWN BY DATE MNABEI '05/04/27		TITLE 0.5 FPC CONN ASSY ZIF FOR SMT EMBSTP PKG -LEAD FREE-		
	10 OVER 30 UNDER	± 0.25	CHECKED BY DATE KTOJO '05/04/27		MOLEX INCORPORATED		
	30 OVER	± 0.3	APPROVED BY DATE NUKITA '05/04/27		DOCUMENT NO. SD-52559-050 SHEET NO. 2 OF 4		
	ANGULAR	± 3 °	MATERIAL NO. SEE CHART		THIS DRAWING CONTAINS INFORMATION THAT IS PROPRIETARY TO MOLEX INCORPORATED AND SHOULD NOT BE USED WITHOUT WRITTEN PERMISSION		
DRAFT WHERE APPLICABLE MUST REMAIN WITHIN DIMENSIONS		SIZE A3					

10 9 8 7 6 5 4 3 2 1

F

E

D

C

B

A

F

E

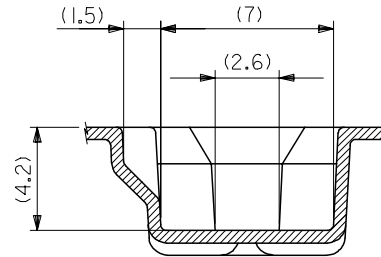
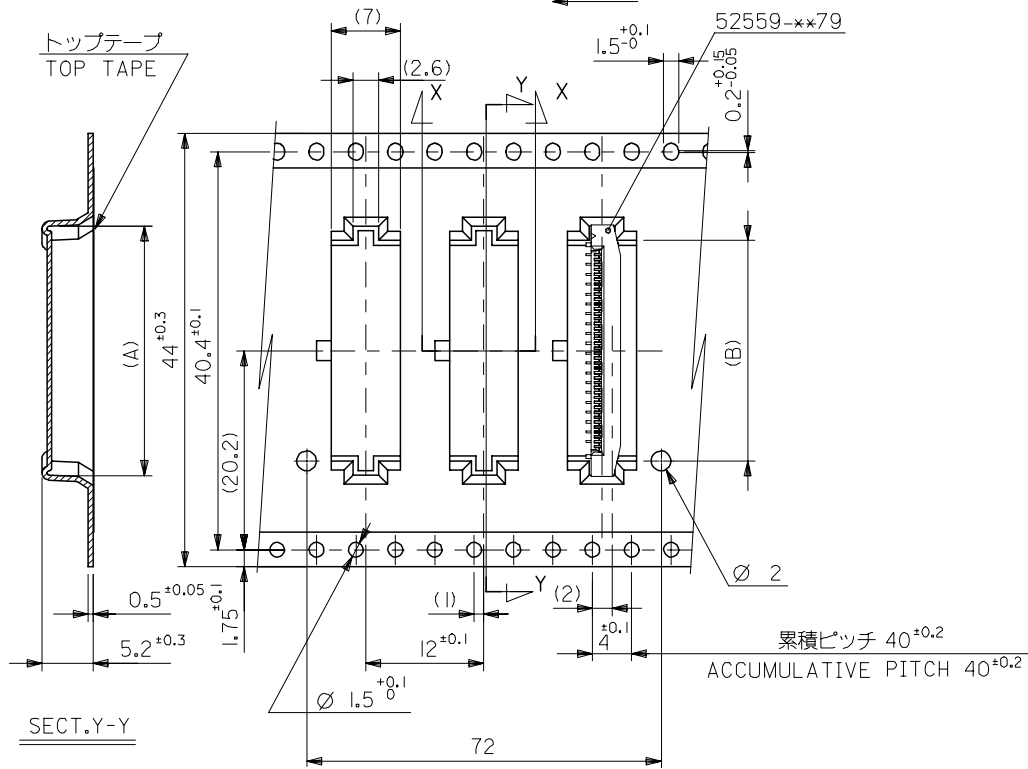
D

C

B

A

引き出し方向 PULL OUT DIRECTION



SECT.X-X

44mm幅キャリアテープ
44mm WIDTH CARRIER TAPE

44	49.4	45.4	22.4	25.3	52559-4053	40
キャリアテープ幅 CARRIER TAPE WIDTH	D	C	(B)	(A)	52559-3653	36
					MATERIAL NO.	CIRCUIT NO.

REVISED EC NO: J2006-3700 DRWN: MNABE 2006/06/16 CHKD: KTOYODA 2006/06/19 APPR: NUKITA 2006/06/22	GENERAL TOLERANCES (UNLESS SPECIFIED)		DIMENSION STYLE	SCALE	DESIGN UNITS	THIRD ANGLE PROJECTION
			MM ONLY	---	METRIC	☉ □
	10 UNDER	± 0.2	DRAWN BY	DATE	TITLE	
	10 OVER 30 UNDER	± 0.25	MNABE I	'05/04/27	0.5 FPC CONN ASSY ZIF FOR SMT EMBSTP PKG -LEAD FREE-	
30 OVER	± 0.3	CHECKED BY	DATE	APPROVED BY		DATE
ANGULAR ± 3 °		KT0JO	'05/04/27	NUKITA		'05/04/27
DRAFT WHERE APPLICABLE MUST REMAIN WITHIN DIMENSIONS		MATERIAL NO.		DOCUMENT NO.		SHEET NO.
		SEE CHART		SD-52559-050		4 OF 4
SIZE A3 THIS DRAWING CONTAINS INFORMATION THAT IS PROPRIETARY TO MOLEX INCORPORATED AND SHOULD NOT BE USED WITHOUT WRITTEN PERMISSION						