

Photodiodes



FDS100

25-05513



Description

The Thorlabs FDS100 photodiode is ideal for measuring both pulsed and CW fiber light sources, by converting the optical power to an electrical current. The detector is housed in a TO-5 package with an anode, cathode, and case connection. The photodiode anode produces a current, which is a function of the incident light power and the wavelength. The responsivity $\mathfrak{R}(\lambda)$, can be read from the responsivity graph to estimate the amount of photocurrent to expect. This can be converted to a voltage by placing a load resistor (R_L) from the photodiode anode to the circuit ground. The output voltage is derived as:

$$V_o = P \times \mathfrak{R}(\lambda) \times R_L$$

The bandwidth, f_{BW} , and the rise time response, t_R , are determined from the diode capacitance, C_J , and the load resistance, R_L , as shown below. Placing a bias voltage from the photo diode cathode to the circuit ground can lower the photo diode capacitance.

$$f_{BW} = \frac{1}{2\pi(R_L)C_j}, t_R = \frac{0.35}{f_{BW}}$$

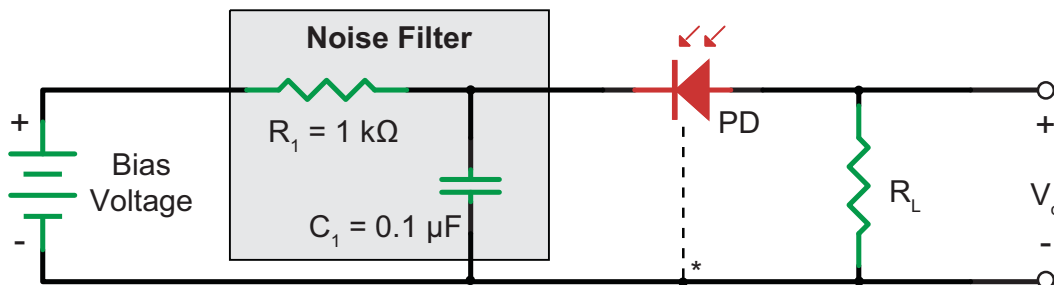
Specifications

Specification	Value
Wavelength Range	350 - 1100 nm
Active Area	3.6 mm x 3.6 mm (13 mm ²)
Rise/Fall Time ($R_L=50 \Omega$, 20 V)	10 ns
Bandwidth ($R_L=50 \Omega$, -3 dB, 20 V)	35 MHz
NEP (900 nm, 20 V)	$1.2 \times 10^{-14} \text{ W/Hz}^{1/2}$
Dark Current, Max (20 V)	20 nA
Capacitance, Typical	40 pF @ 10 V
Package	TO-5, 0.36" can

Specification	Value
Sensor Material	Si PIN
Max Ratings	
Damage Threshold, CW	n/a
Damage Threshold, 10 ns Pulse	n/a
Max Bias (Reverse) Voltage	25 V
Operating Temperature	-40 to 100 °C
Storage Temperature	-55 to 125 °C
Reverse Current	5 mA
Forward Current	5 mA

Recommended Circuit Diagram

Application of a reverse bias can greatly improve the response speed and linearity of the device. This is due to increase in the depletion region width and, consequently, decrease in junction capacitance. However, the dark current and noise will increase.



* Case ground for PD with a third lead.

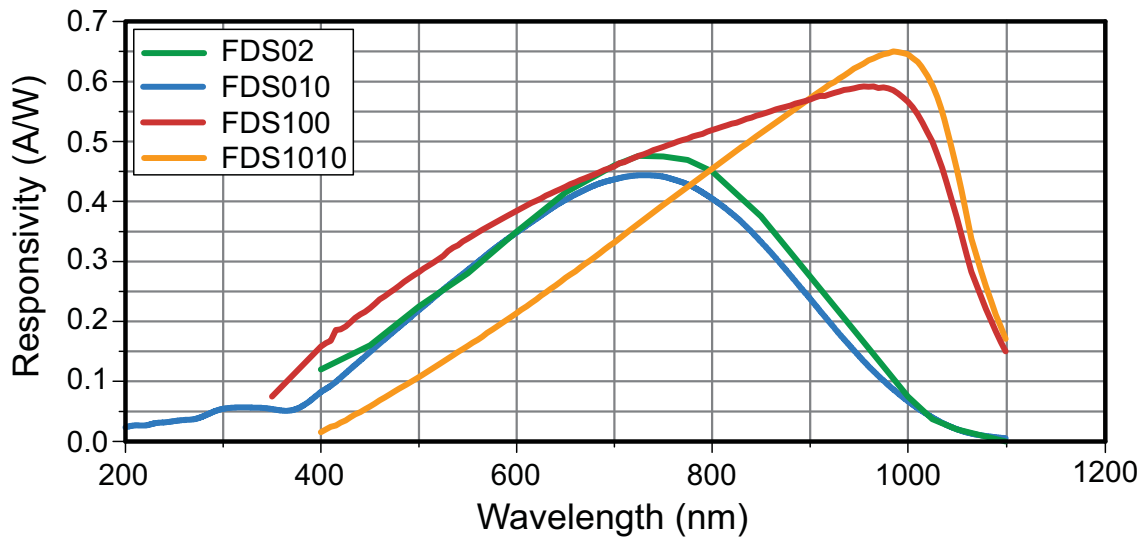
Graphs

The responsivity of a photodiode is a measure of its sensitivity to light, and it is defined as the ratio of the photocurrent I_P to the incident light power P at a given wavelength:

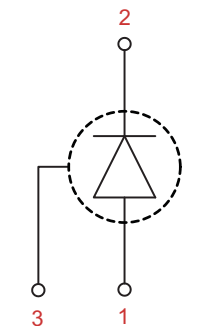
$$R_\lambda = \frac{I_P}{P}$$

In other words, it is a measure of the effectiveness of the conversion of light power into electrical current. Responsivity varies from lot to lot and with the wavelength of the incident light, applied reverse bias, and temperature. It increases slightly with applied reverse bias due to improved charge collection efficiency in the photodiode. The change in temperature increases or decreases the width of the band gap and varies inversely with the temperature.

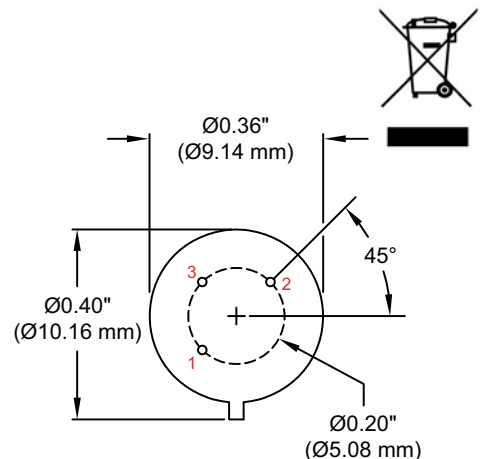
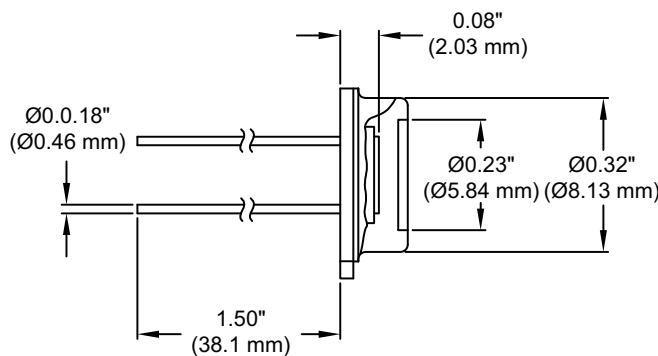
FDS Series Photodiode Responsivity



Drawings



Pin	Description
1	Anode
2	Cathode
3	Case



USA, Canada, & S. America
 Thorlabs, Inc.
 435 Route 206
 Newton, NJ 07860, USA
 Tel: 973-579-7227
 Fax: 973-300-3600
 www.thorlabs.com
 email: feedback@thorlabs.com

Europe
 Thorlabs GmbH
 Hans-Böckler-Str. 6
 85221 Dachau, Germany
 Tel: +49-(0)8131-5956-0
 Fax: +49-(0)8131-5956-99
 www.thorlabs.com
 email: Europe@thorlabs.com

UK and Ireland
 Thorlabs LTD.
 1 Saint Thomas Place, Ely
 Cambridgeshire CB7 4EX, GB
 Tel: +44 (0)1353-654440
 Fax: +44 (0)1353-654444
 www.thorlabs.com
 email: sales.uk@thorlabs.com

Scandinavia
 Thorlabs Sweden AB
 Box 141 94
 400 20 Göteborg, Sweden
 Tel: +46-31-733-30-00
 Fax: +46-31-703-40-45
 www.thorlabs.com
 email: scandinavia@thorlabs.com

Japan and Asia
 Thorlabs Japan Inc.
 5-17-1, Ohtsuka
 Bunkyo-ku, Tokyo 112-0012, Japan
 Tel: +81-3-5979-8889
 Fax: +81-3-5979-7285
 www.thorlabs.jp
 email: sales@thorlabs.jp

