

25-05497

# SMT Power Inductors – MSS1038



- 10.0 × 10.2 mm footprint; 3.8 mm high shielded inductors
- Very low DCR and excellent current handling

**Designer's Kit C391** contains 3 each of all values.

**Core material** Ferrite

**Core and winding loss** See [www.coilcraft.com/coreloss](http://www.coilcraft.com/coreloss)

**Terminations** RoHS compliant matte tin over nickel over copper. Other terminations available at additional cost.

**Weight:** 1.5 g

**Ambient temperature** –40°C to +85°C with I<sub>rms</sub> current, +85°C to +125°C with derated current

**Storage temperature** Component: –40°C to +125°C.

Packaging: –40°C to +80°C

**Resistance to soldering heat** Max three 40 second reflows at +260°C, parts cooled to room temperature between cycles

**Moisture Sensitivity Level (MSL)** 1 (unlimited floor life at <30°C / 85% relative humidity)

**Failures in Time (FIT) / Mean Time Between Failures (MTBF)**

38 per billion hours / 26,315,789 hours, calculated per Telcordia SR-332

**Packaging** 250/7" reel; 1000/13" reel; Plastic tape: 24 mm wide, 0.35 mm thick, 16 mm pocket spacing, 4.3 mm pocket depth

**PCB washing** Only pure water or alcohol recommended

Part number <sup>1</sup>	Inductance <sup>2</sup> (μH)	DCR max (mΩ)	SRF typ <sup>3</sup> (MHz)	Isat (A) <sup>4</sup>			Irms (A) <sup>5</sup>	
				10% drop	20% drop	30% drop	20°C rise	40°C rise
MSS1038-102NL_	1.0±30%	6.0	138	9.00	11.16	12.10	7.30	10.00
MSS1038-152NL_	1.5±30%	8.1	81	7.40	9.48	11.06	5.60	7.85
MSS1038-252NL_	2.5±30%	10	61	5.70	7.62	9.26	4.65	6.65
MSS1038-382NL_	3.8±30%	13	45	4.94	6.50	7.64	4.25	6.05
MSS1038-522NL_	5.2±30%	22	37	3.96	5.28	6.14	3.60	5.10
MSS1038-702NL_	7.0±30%	27	33	3.62	4.74	5.60	3.10	4.35
MSS1038-103NL_	10±30%	35	29	3.04	3.90	4.52	2.90	4.05
MSS1038-123ML_	12±20%	41	25	2.72	3.48	4.04	2.85	4.00
MSS1038-153ML_	15±20%	50	21	2.84	3.44	3.86	2.70	3.80
MSS1038-183ML_	18±20%	65	18	2.44	3.10	3.52	2.25	3.35
MSS1038-223ML_	22±20%	73	15	2.34	2.94	3.30	1.90	2.85
MSS1038-273ML_	27±20%	89	15	1.98	2.48	2.84	1.65	2.35
MSS1038-333ML_	33±20%	93	13	1.84	2.34	2.62	1.60	2.30
MSS1038-393ML_	39±20%	112	12	1.60	2.04	2.34	1.55	2.25
MSS1038-473ML_	47±20%	128	11	1.60	1.98	2.22	1.45	2.20
MSS1038-563ML_	56±20%	180	11	1.48	1.84	2.04	1.40	1.85
MSS1038-683ML_	68±20%	213	10	1.32	1.62	1.82	1.15	1.75
MSS1038-823ML_	82±20%	261	8	1.12	1.42	1.60	1.09	1.50
MSS1038-104ML_	100±20%	304	6	1.02	1.30	1.46	1.05	1.45
MSS1038-124KL_	120±10%	380	6	0.95	1.18	1.34	0.85	1.25
MSS1038-154KL_	150±10%	506	6	0.89	1.10	1.22	0.80	1.20
MSS1038-184KL_	180±10%	582	5	0.89	1.02	1.16	0.71	0.98
MSS1038-224KL_	220±10%	756	5	0.72	0.88	0.99	0.70	0.97
MSS1038-274KL_	270±10%	926	4	0.66	0.81	0.91	0.65	0.86
MSS1038-334KL_	330±10%	1090	4	0.59	0.73	0.82	0.50	0.69
MSS1038-394KL_	390±10%	1141	4	0.51	0.65	0.74	0.49	0.65
MSS1038-474KL_	470±10%	1243	3	0.50	0.62	0.70	0.45	0.63
MSS1038-564KL_	560±10%	1696	3	0.43	0.53	0.56	0.43	0.59
MSS1038-684KL_	680±10%	1926	3	0.38	0.48	0.52	0.36	0.50
MSS1038-824KL_	820±10%	2596	3	0.37	0.46	0.49	0.34	0.47
MSS1038-105KL_	1000±10%	2853	3	0.35	0.43	0.46	0.33	0.45

1. Please specify **termination** and **packaging** codes:

MSS1038-105KL C

**Termination:** L = RoHS compliant matte tin over nickel over copper.

**Special order:**

T = RoHS tin-silver-copper (95.5/4/0.5)  
or S = non-RoHS tin-lead (63/37).

**Packaging:** C = 7" machine-ready reel. EIA-481 embossed plastic tape (250 parts per full reel).

B = Less than full reel. In tape, but not machine ready. To have a leader and trailer added (\$25 charge), use code letter C instead.

D = 13" machine-ready reel. EIA-481 embossed plastic tape. Factory order only, not stocked (1000 parts per full reel).

2. Inductance measured at 100 kHz, 1.0 V<sub>rms</sub>, 0 Adc using an Agilent/HP 4263B LCR meter or equivalent.

3. SRF measured using an Agilent/HP 8753D or equivalent.

4. DC current at which the inductance drops the specified amount from its value without current.

5. Current that causes the specified temperature rise from 25°C ambient.

6. Electrical specifications at 25°C.

Refer to Doc 362 "Soldering Surface Mount Components" before soldering.

## Coilcraft®

Specifications subject to change without notice.  
Please check our website for latest information.

Document 378-1 Revised 10/06/08

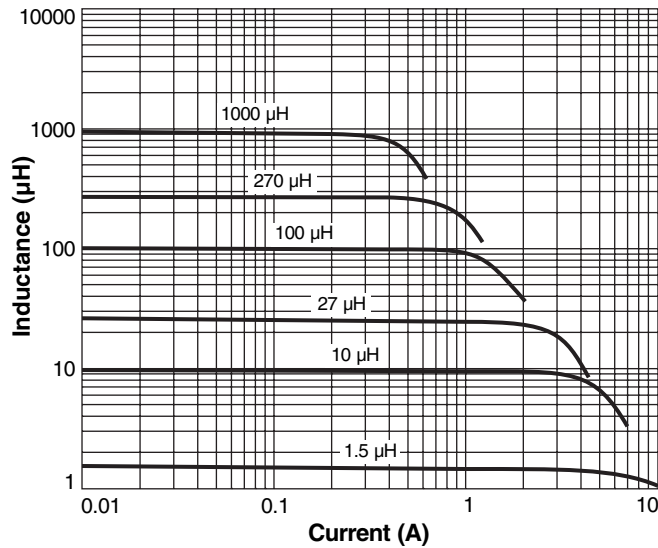
1102 Silver Lake Road Cary, Illinois 60013 Phone 847/639-6400 Fax 847/639-1469

E-mail [info@coilcraft.com](mailto:info@coilcraft.com) Web <http://www.coilcraft.com>

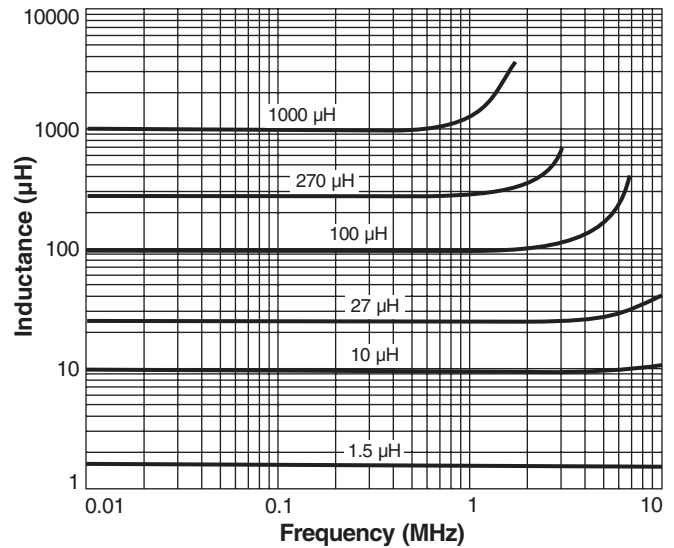


# SMT Power Inductors – MSS1038

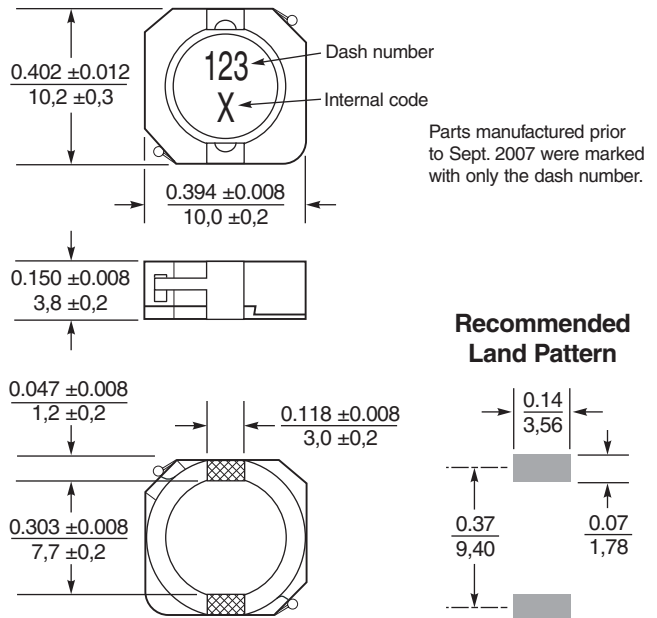
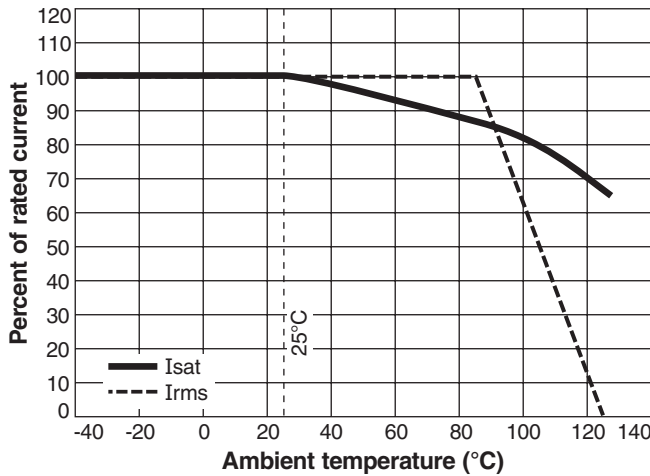
## Typical L vs Current



## Typical L vs Frequency



## Typical Current Derating



Specifications subject to change without notice.  
Please check our website for latest information.

Document 378-2 Revised 10/06/08

1102 Silver Lake Road Cary, Illinois 60013 Phone 847/639-6400 Fax 847/639-1469

E-mail [info@coilcraft.com](mailto:info@coilcraft.com) Web <http://www.coilcraft.com>