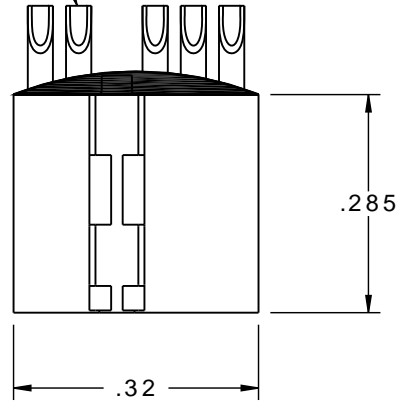


25-05445

PART NO.	A 19750-001	REV	ECO	DATE	APP
		1			

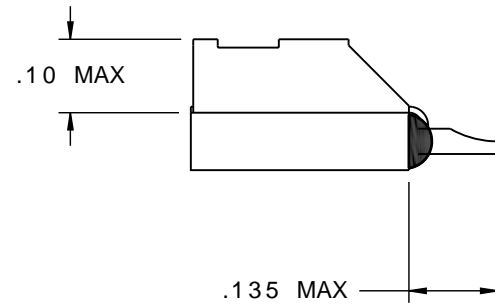
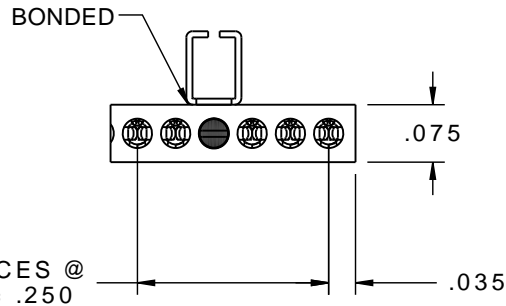
NOTE ORIENTATION



ACTUAL SIZE

Drawing Approval

Date



REF: nLIGHT

PS1	THIRD ANGLE	THIS DRAWING CONTAINS CONFIDENTIAL AND PROPRIETARY INFORMATION WHICH IS THE PROPERTY OF OMNETICS CONNECTOR CORP. THIS DOCUMENT MAY NOT, IN WHOLE OR IN PART, BE DUPLICATED, OR DISCLOSED FOR ANY PURPOSE, WITHOUT WRITTEN PERMISSION FROM OMNETICS CONNECTOR CORP.			 OMNETICS CONNECTOR CORPORATION	CAGE CODE 61873	
	SLDW	UNLESS OTHERWISE NOTED DIMENSIONS IN INCHES	DFTM. TLM	DATE 06-02-10		TITLE: (5) PIN MALE CONNECTOR W/LATCH	DWG NO. A 19750-001
	2 PL DEC ± .01 3 PL DEC ± .005 4 PL DEC ± .0005 ANGLES ± 1°	CHK'D.	DATE	APP'D.	DATE	SHEET 1 OF 1	SCALE: 4:1

7260 COMMERCE CIRCLE EAST
MINNEAPOLIS, MN 55432
WWW.OMNETICS.COM