

### DISCRETE SIGNAL & POWER CONTACTS

- Models for dry circuit to 500 amps
- .016" (.4mm) to .650" (16.5mm) diameter pins with mating sockets
- Long life contacts
- Contact resistance from .04 to 8 milliohms
- Ideal for test, burn-in, and highpower use



### INDIVIDUAL CONTACTS

Individual pins and sockets are available for those applications where special constraints prohibit the use of multi-pin connectors.

Optional Configurations not shown - Please Consult factory.

Contact Dia. Inches (mm)	.016 (.40)	.018 (.45)	.024 (.60)	.030 (.76)	.040 (1.02)	.059 (1.50)	.098 (2.50)	.138 (3.50)	.169 (4.30)	.241 (6.12)	.500 (12.70)	.650 (16.50)
Page	146	147	148	149	150	151	152	153	154	155	156	156
Contact Styles M=Male F=Female	Page 5											
Crimp	M, F	M, F	M, F		M, F	M	M, F		M	M, F		
Solder Cup	M, F	M	M, F		M, F	M, F	M, F	M, F	M			
Straight Dip	M, F	M, F	M, F	M, F	M	M, F						
Open Both Ends	F	F			F	F		F				
Closed End		F		F	F	F	F					
Threaded Stud						F		M, F	M, F	M, F	M, F	M, F
Press In							F	F	F	F		
Right Angle Block								M, F				
Contact Resis. (milliohms)	<8	<8	<5	<5	<2.5	<2.5	<.8	<.5	<.37	<.25	<.08	<.04
Current Rating	1	2.5	4	5	8	10	15	25,40 & 50	100	200	350	500
Extrac. Force	.3-1.6oz.	.5-1.6oz.	.3-2.0oz.	.5-3.2oz.	1.0-3.9oz.	1.2-5oz.	6.0-25oz.	7-32oz.	15-90oz.	80-160oz	9-20 lb.	20-37 lb.
Contact Life	100,000 Cycles											
Materials	Beryllium copper wires and brass body											
Plating Reference	G = 10µ in. Gold on mating surfaces H = 50µ in. Gold AH = 50µ in. Gold on mating surface and gold flash on socket body only GT = 10µ in. Gold on mating surface and tin lead on socket body only HT = 50µ in. Gold on mating surface and tin lead on socket body only ABH = 50µ in. Gold on mating surface and tin lead on tail. All other surfaces gold flash. ALT = 30µ in. Gold on mating surface and tin on tail. All other surfaces gold flash. L = 250µ in. Gold * Suffix at end of part number determines plating. Example: The G in YPN005-001G equals 10µ in. Gold.											

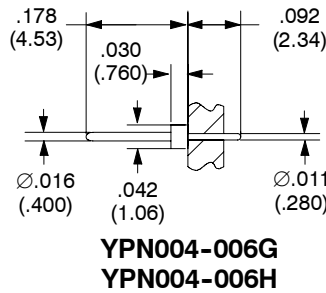
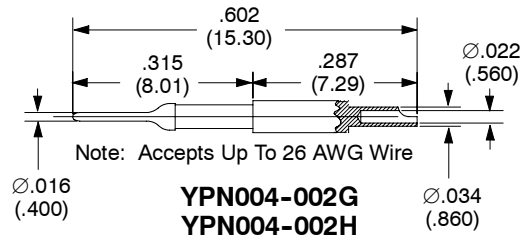
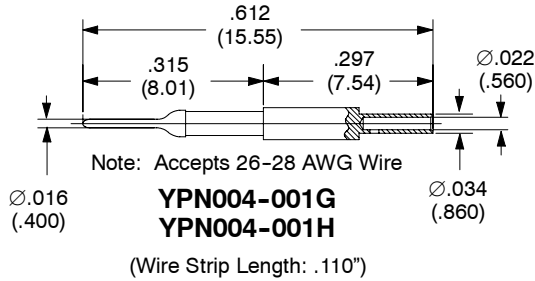
**Note: Performance specifications are based on mating Hypertronics contacts.**

**Ø .016" (.40mm) CONTACTS**

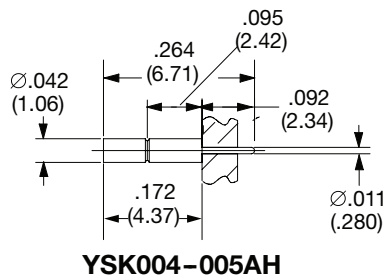
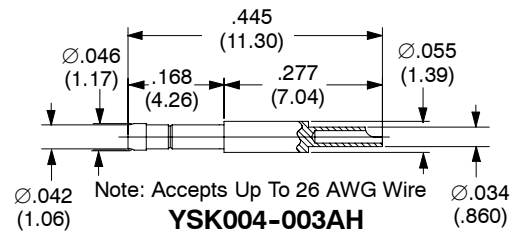
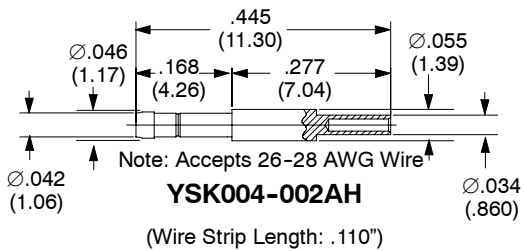
Materials: ..... Beryllium copper wires and brass body  
 Plating: ..... Gold over nickel  
 Resistance: ..... < 8 milliohms  
 Current Rating: ..... 1.0 amps  
 Extraction Force: ..... Min. .3 oz., Max 1.6 oz.  
 Life: ..... 100,000 cycles

Plating Reference  
 Male Pins: G = 10 µin gold (min) over Ni  
               H = 50 µin gold (min) over Ni  
 Female Sockets: AH = 50 µin gold (min) over Ni on mating surface, gold flash over Ni on termination

**MALE CONTACTS (PINS)**



**FEMALE CONTACTS (SOCKETS)**



**Notes**

1) Dimensions in inches (mm).

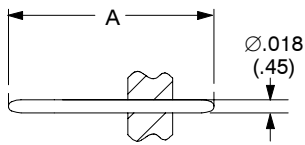
## Ø .018" (.45mm) CONTACTS

Materials: ..... Beryllium copper wires and brass body  
 Plating: ..... Gold over nickel  
 Resistance: ..... < 8 milliohms  
 Current Rating: ..... 2.5 amps  
 Extraction Force: ..... Min. .5 oz., Max 1.6 oz.  
 Life: ..... 100,000 cycles

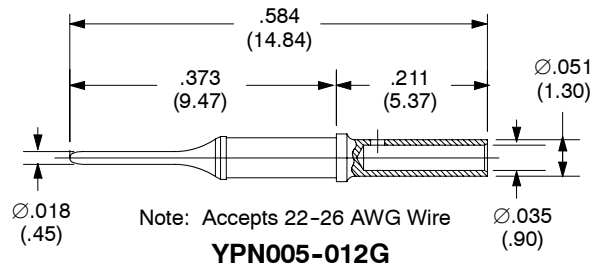
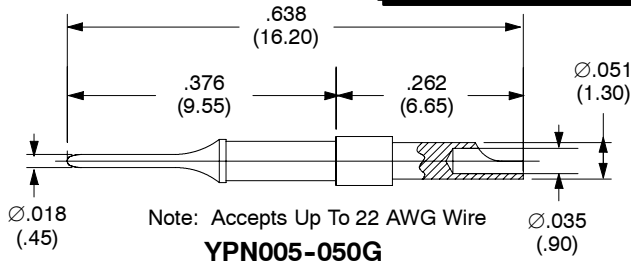
### Plating reference:

Male Pins: G = 10 µin. gold (min) over Ni  
 H = 50 µin. gold (min) over Ni  
 Female Sockets: AH = 50 µin. gold (min) over Ni on mating surface and gold flash over Ni on termination  
 HT = 50 µin. gold (min) over Ni on mating surface and tin lead on termination  
 ABH = 50 µin. gold (min) over Ni on mating surface and tin lead on tail. All other surfaces gold flash.

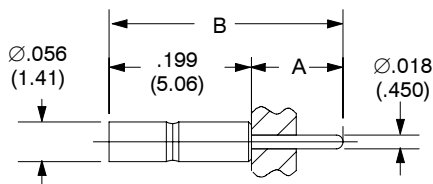
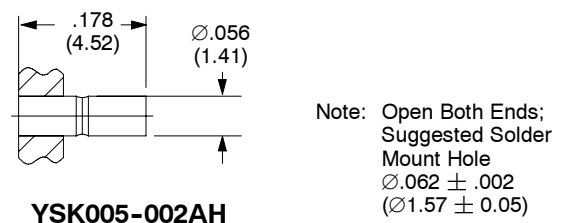
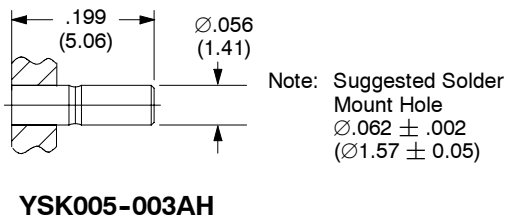
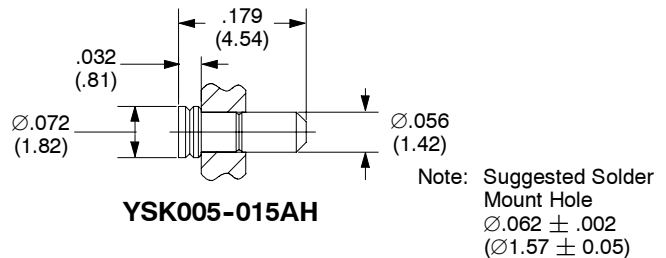
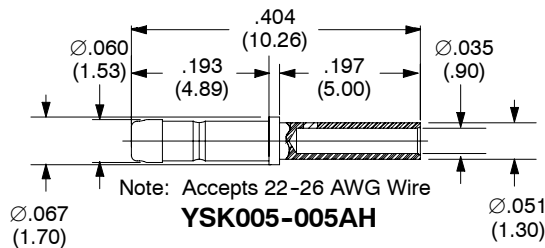
### MALE CONTACTS (PINS)



PART NUMBER	DIM A
YPN005-001G	.287 (7.30)
YPN005-001H	.287 (7.30)
YPN005-003H	.630 (16.00)



### FEMALE CONTACTS (SOCKETS)



PART NUMBER	DIM A	DIM B
YSK005-004AH	.128 (3.25)	.327 (8.31)
YSK005-008AH	.307 (7.80)	.506 (12.86)

### Notes

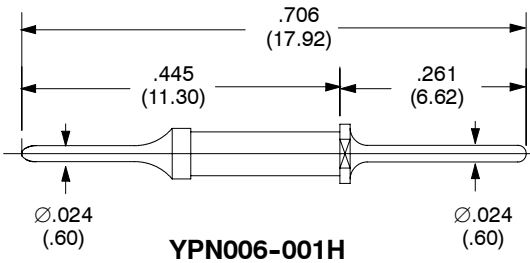
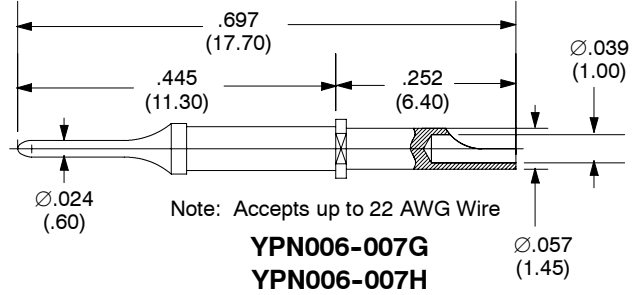
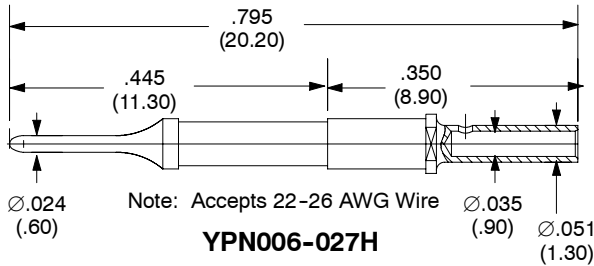
1) Dimensions in inches (mm).

**Ø .024" (.60mm) CONTACTS**

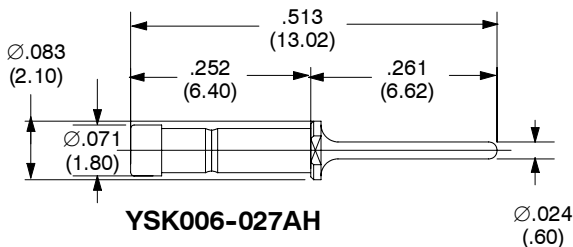
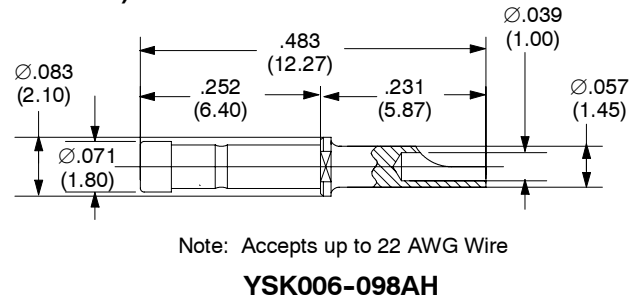
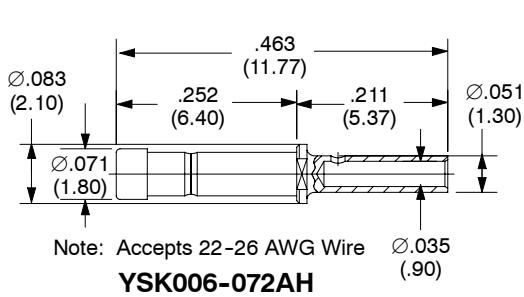
Materials: ..... Beryllium copper wires and brass body  
 Plating: ..... Gold over nickel  
 Resistance: ..... < 5 milliohms  
 Current Rating: ..... 4 amps  
 Extraction Force: ..... Min. .5 oz., Max 3.2 oz.  
 Life: ..... 100,000 cycles

Plating reference  
 Male Pins: G = 10 µin. gold (min) over Ni  
 H = 50 µin. gold (min) over Ni  
 Female Sockets: AH = 50 µin. gold (min) over Ni on mating surface and gold flash over Ni on termination

**MALE CONTACTS (PINS)**



**FEMALE CONTACTS (SOCKETS)**



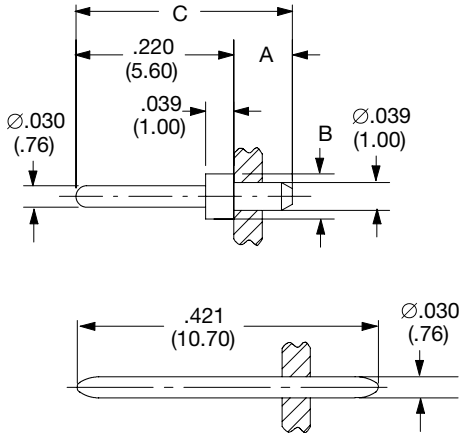
**Notes**

1) Dimensions in inches (mm).

## Ø .030" (.76mm) CONTACTS

Materials: ..... Beryllium copper wires and brass body  
 Plating: ..... Gold over nickel  
 Resistance: ..... < 5 milliohms  
 Current Rating: ..... 5 amps  
 Extraction Force: ..... Min. .5 oz., Max 3.2 oz.  
 Life: ..... 100,000 cycles

Plating reference  
 Male Pins: G = 10 µin. gold (min) over Ni  
 H = 50 µin. gold (min) over Ni  
 Female Sockets: AH = 50 µin. gold (min) over Ni on mating surface and gold flash over Ni on termination  
 GT = 10 µin. gold (min) over Ni on mating surface and tin lead on socket body only.

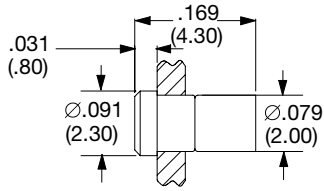


**YPN0076-001H**

### MALE CONTACTS (PINS)

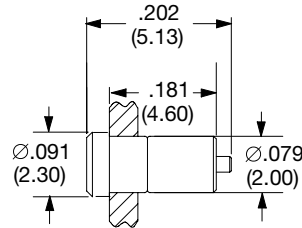
PART NUMBER	DIM A	DIM B	DIM C
YPN0076-004H	.145 (3.69)	Ø.062 (1.58)	.365 (9.28)
YPN0076-005H	.150 (3.81)	Ø.081 (2.05)	.370 (9.40)
HSP030M2G HSP030M2H	.082 (2.08)	Ø.063 (1.60)	.302 (7.68)
HSP030M3G	.110 (2.80)	Ø.081 (2.05)	.331 (8.40)

### FEMALE CONTACTS (SOCKETS)



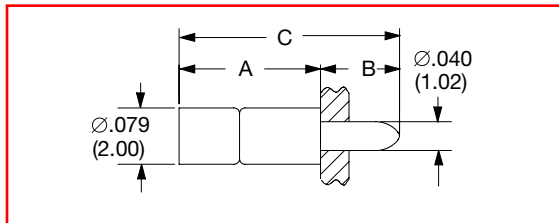
**YSK0076-021AH**

Note: Suggested Solder Mount Hole  
 Ø.084 ± .002  
 (Ø2.13 ± 0.05)  
 Open both ends

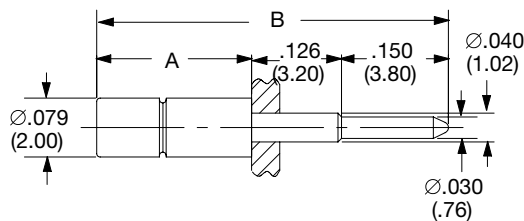


**YSK0076-014AH**

Note: Suggested Solder Mount Hole  
 Ø.084 ± .002  
 (Ø2.13 ± 0.05)



PART NUMBER	DIM A	DIM B	DIM C
YSK0076-011AH YSK0076-011GT	.199 (5.05)	.110 (2.80)	.309 (7.85)
YSK0076-012GT	.199 (5.05)	.187 (4.75)	.386 (9.80)
YSK0076-040AH YSK0076-040GT	.207 (5.27)	.135 (3.43)	.343 (8.70)



PART NUMBER	DIM A	DIM B
YSK0076-026AH	.209 (5.30)	.484 (12.30)
YSK0076-068AH	.217 (5.50)	.492 (12.50)

### Notes

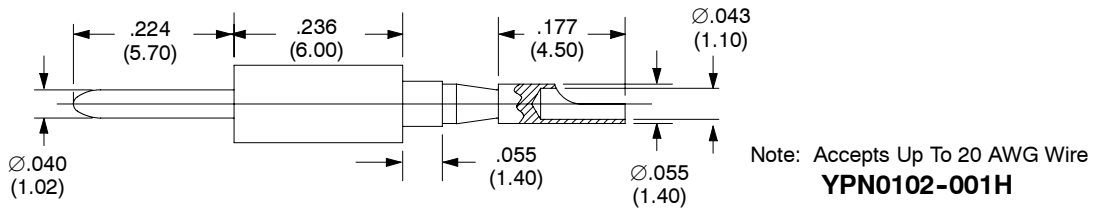
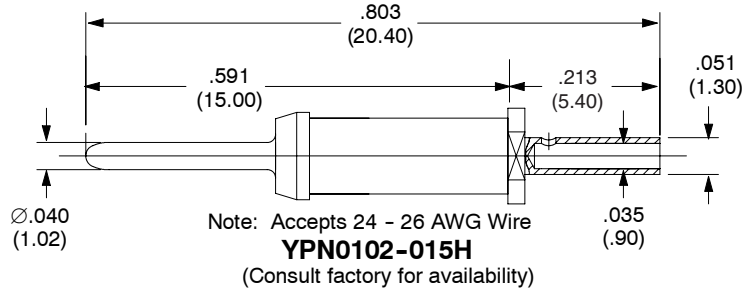
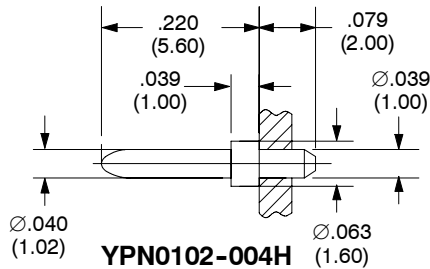
1) Dimensions in inches (mm).

**Ø .040" (1.02mm) CONTACTS**

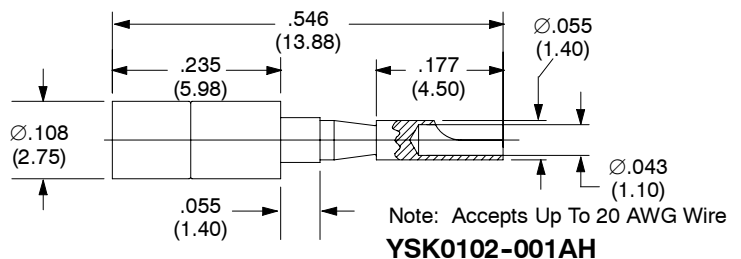
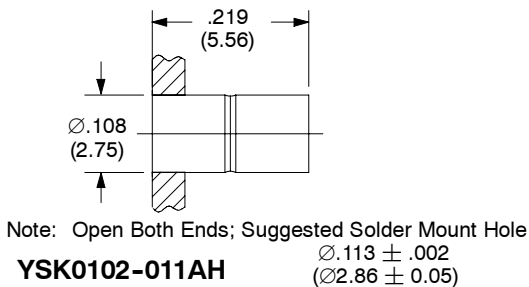
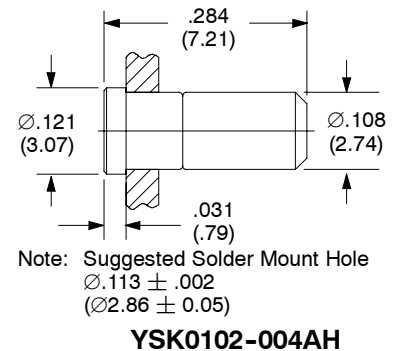
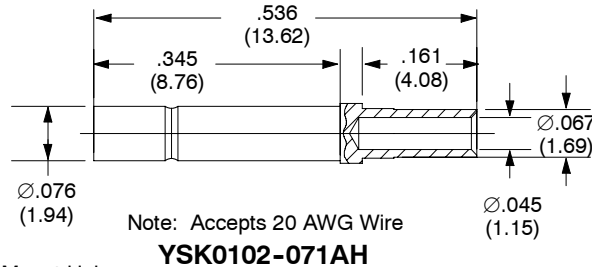
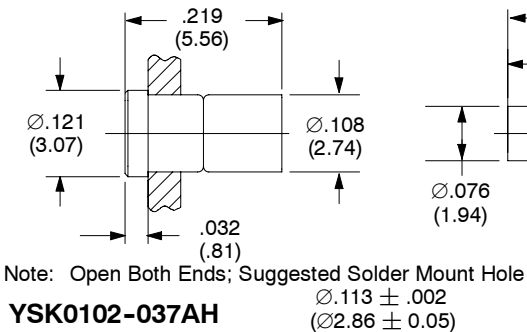
Materials: ..... Beryllium copper wires and brass body  
 Plating: ..... Gold over nickel  
 Resistance: ..... < 2.5 milliohms  
 Current Rating: ..... 7.5 amps  
 Extraction Force: ..... Min. 1.0 oz., Max 3.9 oz.  
 Life: ..... 100,000 cycles

Plating Reference  
 Male Pins: G = 10 µin gold (min) over Ni  
 H = 50 µin gold (min) over Ni  
 Female Sockets: AH = 50 µin gold (min) over Ni on mating surface, gold flash over Ni on termination

**MALE CONTACTS (PINS)**



**FEMALE CONTACTS (SOCKETS)**



**Notes**

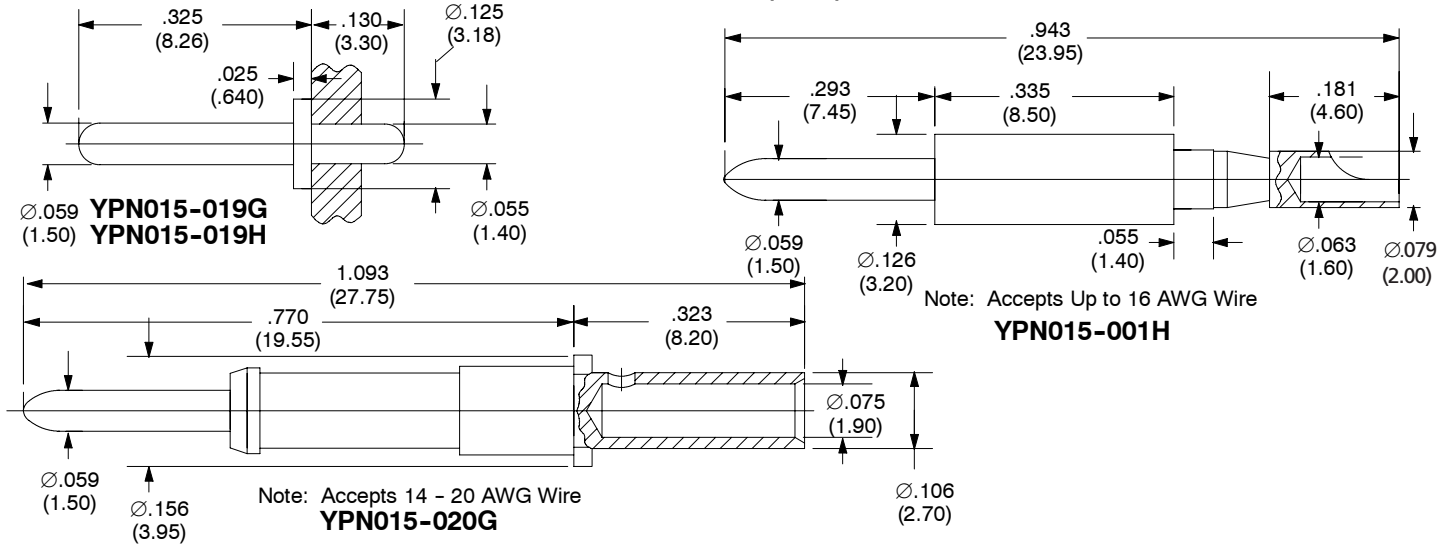
1) Dimensions in inches (mm).

**Ø .059" (1.5mm) CONTACTS**

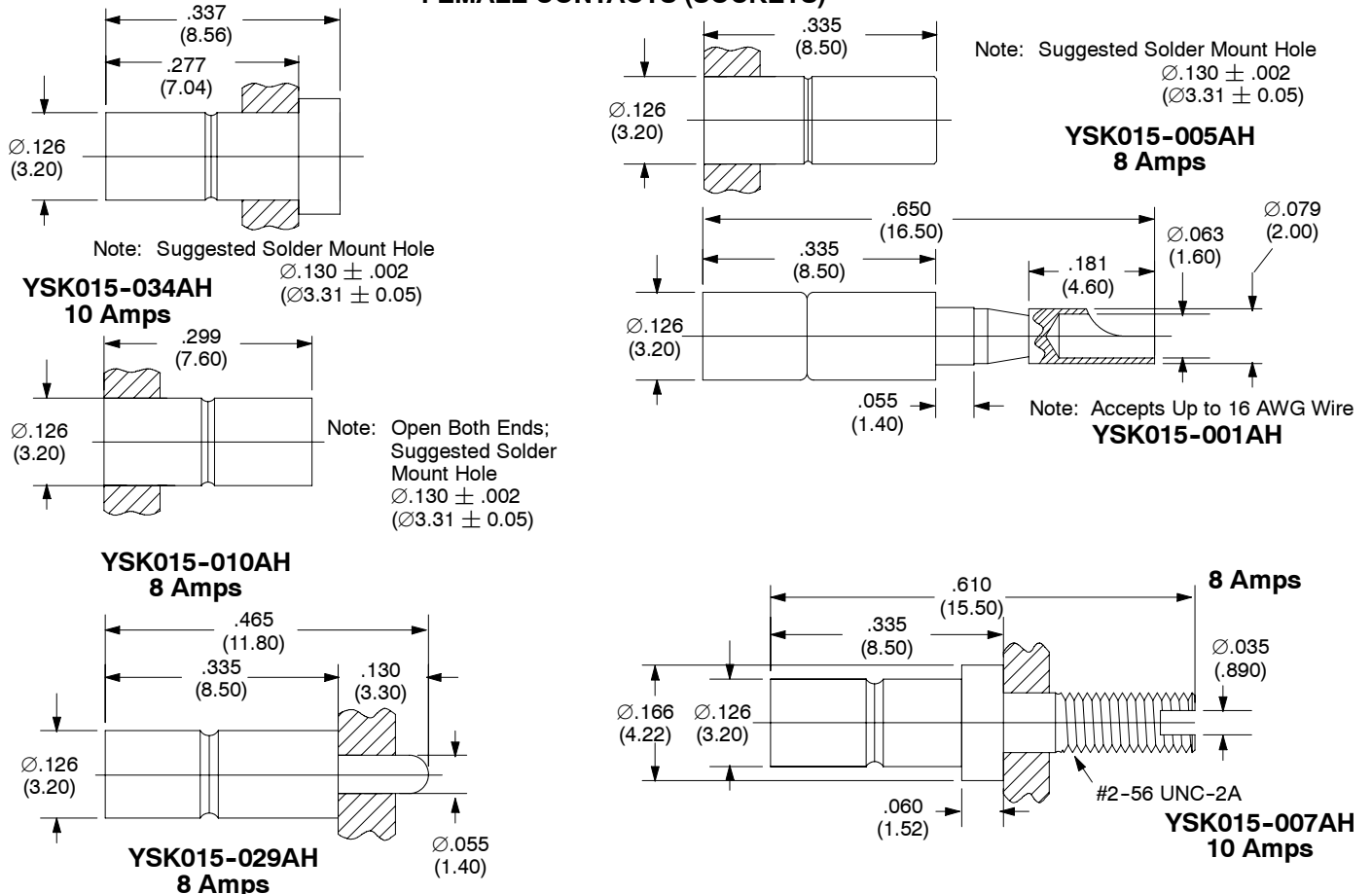
Materials: ..... Beryllium copper wires and brass body  
 Plating: ..... Gold over nickel  
 Resistance: ..... < 2.5 milliohms  
 Current Rating: ..... 8-10 amps  
 Extraction Force: ..... Min. 1.2 oz., Max 5 oz.  
 Life: ..... 100,000 cycles

Plating Reference  
 Male Pins: G = 10 µin gold (min) over Ni  
 H = 50 µin gold (min) over Ni  
 Female Sockets: AH = 50 µin gold (min) over Ni on mating surface, gold flash over Ni on termination

**MALE CONTACTS (PINS)**



**FEMALE CONTACTS (SOCKETS)**



**Notes**

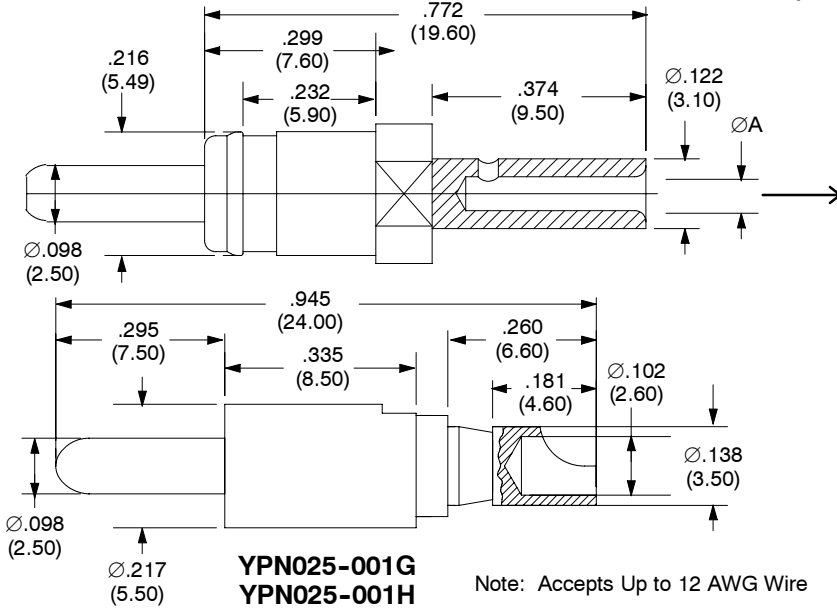
1) Dimensions in inches (mm).

**Ø .098" (2.5mm) CONTACTS**

Materials: ..... Beryllium copper wires and brass body  
 Plating: ..... Gold over nickel  
 Resistance: ..... < .8 milliohms  
 Current Rating: ..... 15 amps  
 Extraction Force: ..... Min. 6 oz., Max 25 oz.  
 Life: ..... 100,000 cycles

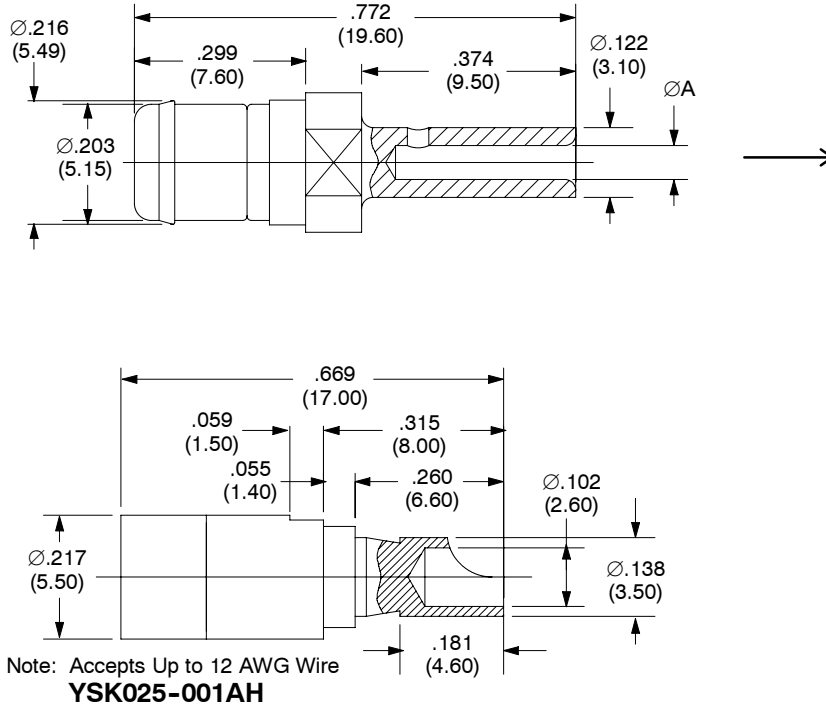
Plating Reference  
 Male Pins: G = 10 µin gold (min) over Ni  
 H = 50 µin gold (min) over Ni  
 Female Sockets: AH = 50 µin gold (min) over Ni on mating surface, gold flash over Ni on termination

**MALE CONTACTS (PINS)**

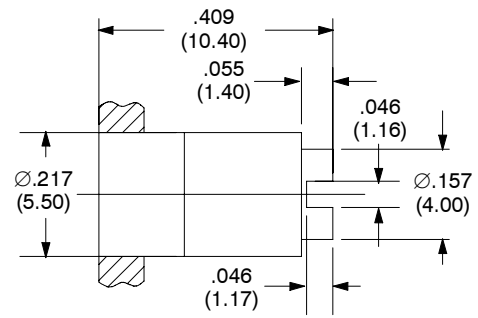


PART NUMBER	DIM A	WIRE SIZE
YPN025-002G	Ø.059 (1.50)	18 - 22 AWG
YPN025-002H	Ø.059 (1.50)	18 - 22 AWG
YPN025-003G	Ø.076 (1.95)	13 - 14 AWG
YPN025-003H	Ø.076 (1.95)	13 - 14 AWG
CRIMP TOOL: M300BT POSITIONER: SP611		

**FEMALE CONTACTS (SOCKETS)**



PART NUMBER	DIM A	WIRE SIZE
YSK025-003AH	Ø.059 (1.50)	18 - 22 AWG
YSK025-004AH	Ø.074 (1.87)	13 - 14 AWG
CRIMP TOOL: M300BT POSITIONER: SP611		



**Notes**

1) Dimensions in inches (mm).

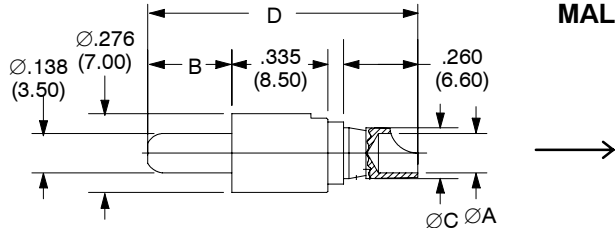


## Ø .138" (3.5mm) CONTACTS

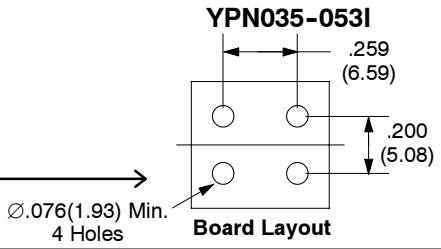
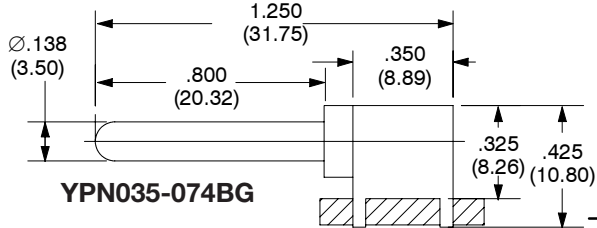
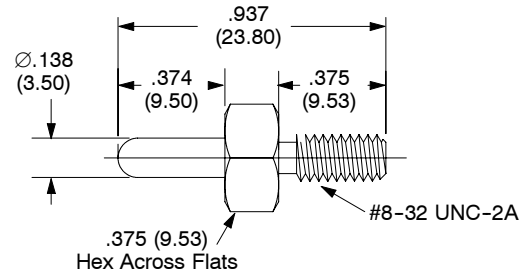
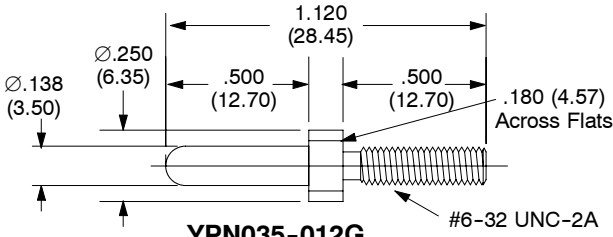
Materials: ..... Beryllium copper wires and brass body  
 Plating: ..... Gold over nickel  
 Resistance: ..... < .5 milliohms  
 Current Rating: ..... 25, 40, & 50 amps  
 Extraction Force: ..... Min. 7 oz., Max 32 oz.  
 Life: ..... 100,000 cycles

Plating Reference  
 Male Pins: G = 10 µin gold (min) over Ni  
 H = 50 µin gold (min) over Ni  
 Female Sockets: AH = 50 µin gold (min) over Ni on mating surface, gold flash over Ni on termination

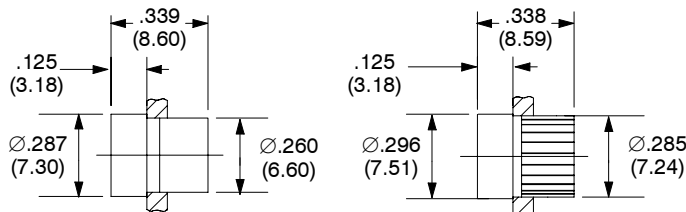
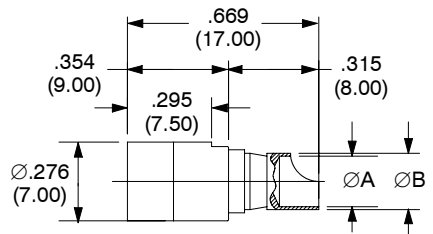
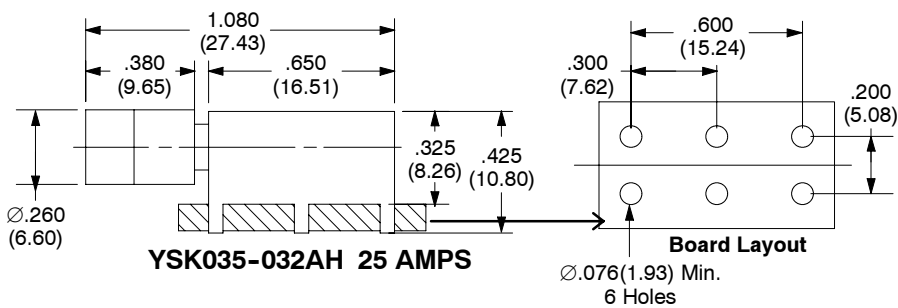
### MALE CONTACTS (PINS)



Part Number	Dim A	Dim B	Dim C	Dim D	Wire Size	Current Rating
YPN035-001H	.137 (3.50)	.295 (7.50)	.177 (4.50)	.945 (24.00)	10 AWG	25 Amps
YPN035-024H	.177 (4.50)	.374 (9.50)	.193 (4.90)	.193 (4.90)	8 AWG	50 Amps



### FEMALE CONTACTS (SOCKETS)



Note: Suggested Solder Mount Hole  
 Ø.264 ± .002 (Ø6.70 ± 0.05)  
**YSK035-004AH 25 AMPS**

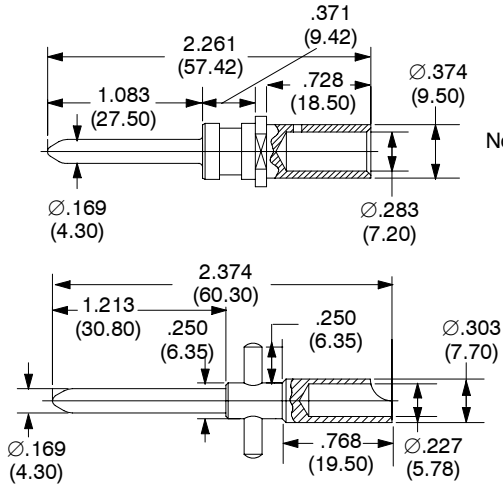
Part Number	Dim A	Dim B	Wire Size	Current Rating
YSK035-001AH	.137 (3.50)	.177 (4.50)	10 AWG	25 Amps
YSK035-006AH	.137 (3.50)	.177 (4.50)	10 AWG	40 Amps
YSK035-027AH	.177 (4.50)	.193 (4.90)	8 AWG	50 Amps

**Ø .169" (4.3mm) CONTACTS**

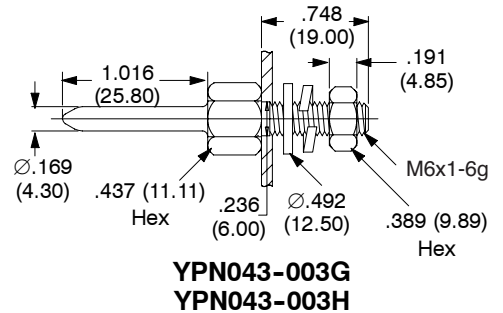
Materials: ..... Beryllium copper wires and brass body  
 Plating: ..... Gold over nickel  
 Resistance: ..... < .37 milliohms  
 Current Rating: ..... 100 amps  
 Extraction Force: ..... Min. 15 oz., Max 90 oz.  
 Life: ..... 100,000 cycles

Plating Reference  
 Male Pins: G = 10 µin gold (min) over Ni  
 H = 50 µin gold (min) over Ni  
 Female Sockets: AH = 50 µin gold (min) over Ni on mating surface, gold flash over Ni on termination

**MALE CONTACTS (PINS)**

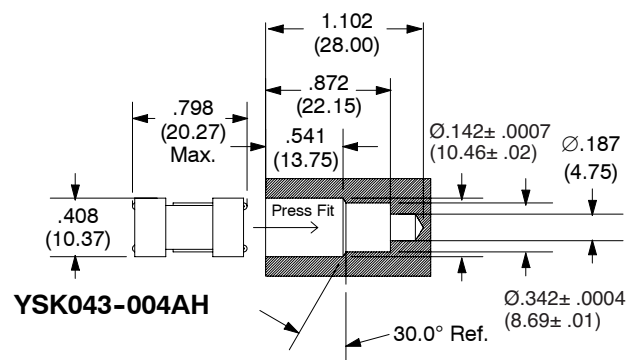
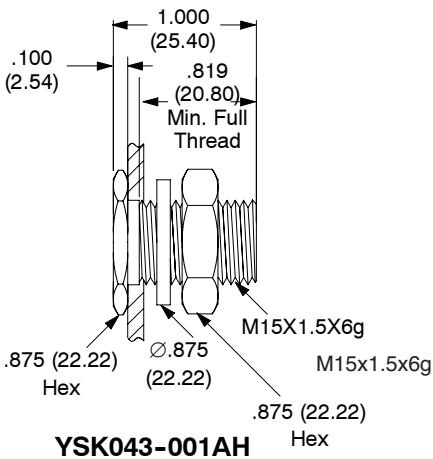
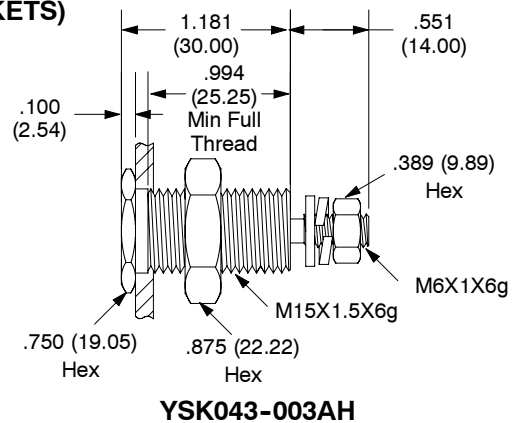
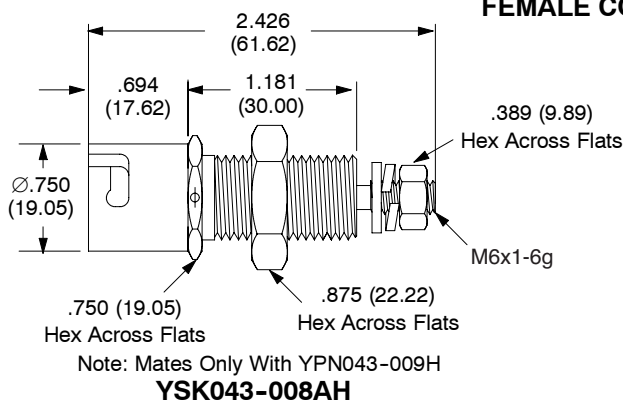


Note: Accepts 4 AWG Wire  
**YPN043-014RG**



Note: Accepts Up To 5 AWG Wire  
 Mates Only With YSK043-008AH  
**YPN043-009H**  
 (Consult factory for availability)

**FEMALE CONTACTS (SOCKETS)**



**Notes**

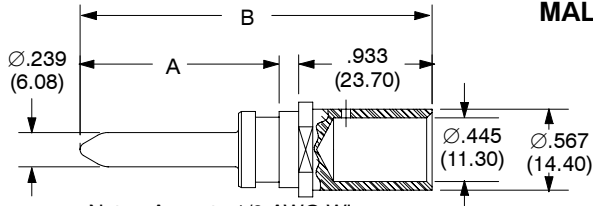
1) Dimensions in inches (mm).

## Ø .241" (6.12mm) CONTACTS

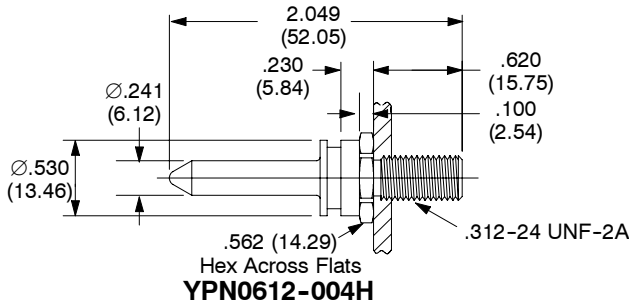
Materials: ..... Beryllium copper wires and brass body  
 Plating: ..... Gold over nickel  
 Resistance: ..... < .25 milliohms  
 Current Rating: ..... 200 amps  
 Extraction Force: ..... Min. 80 oz., Max 160 oz.  
 Life: ..... 100,000 cycles

Plating Reference G = 10 µin gold (min) over Ni  
 Male Pins: H = 50 µin gold (min) over Ni  
 R1= 30 µin gold (min) over Ni  
 Female Sockets: AH = 50 µin gold (min) over Ni on mating surface, gold flash over Ni on termination

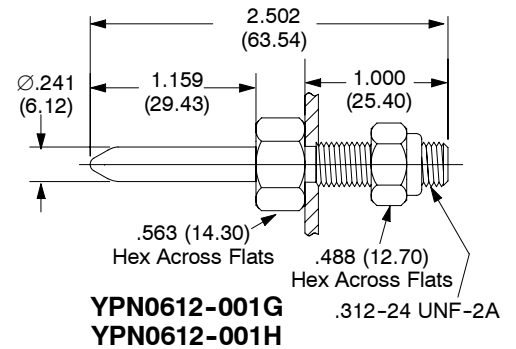
### MALE CONTACTS (PINS)



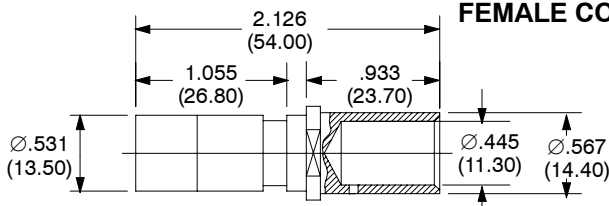
Note: Accepts 1/0 AWG Wire



Part Number	Dim A	Dim B
YPN0612-021RI	1.392 (35.35)	2.463 (62.55)
YPN0612-023RI	1.626 (41.30)	2.697 (68.50)

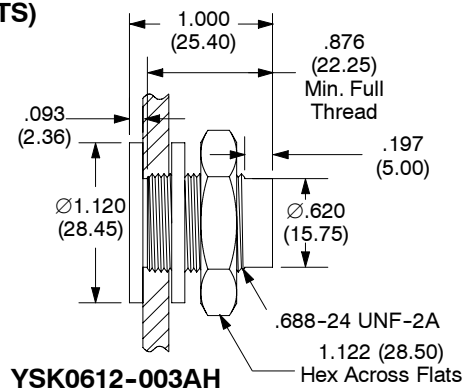


### FEMALE CONTACTS (SOCKETS)

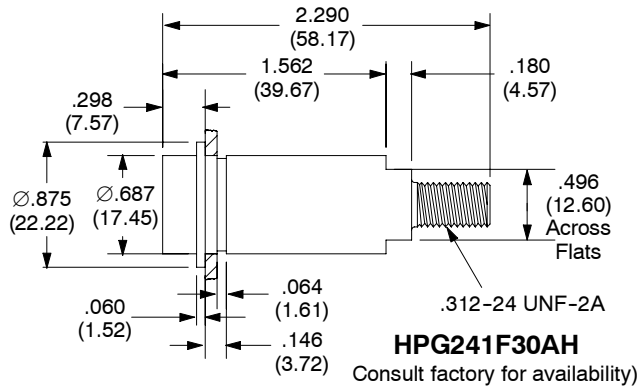


Note: Accepts 1/0 AWG Wire

**YSK0612-015AH**

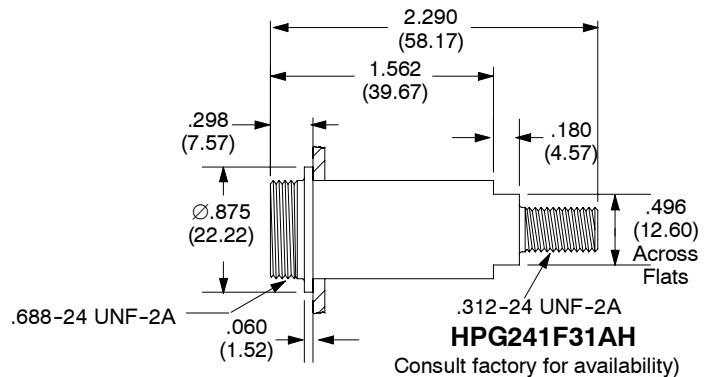


**YSK0612-003AH**



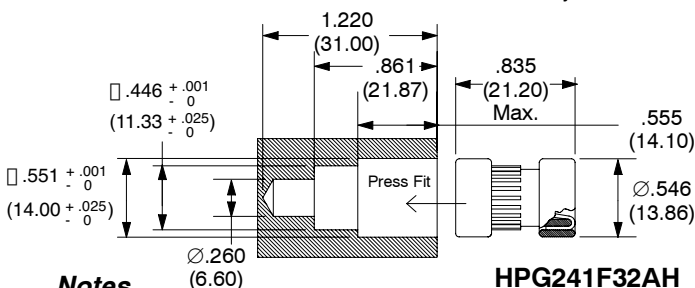
**HPG241F30AH**

Consult factory for availability)



**HPG241F31AH**

Consult factory for availability)



**HPG241F32AH**

(Consult factory for availability)

### Notes

1) Dimensions in inches (mm).

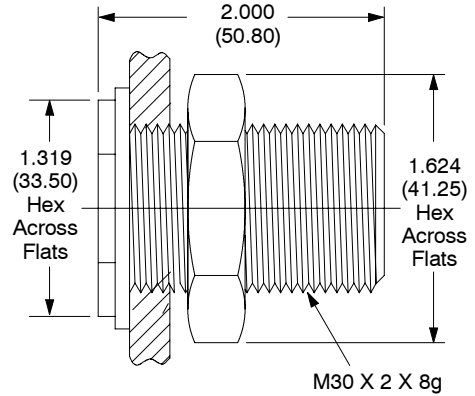
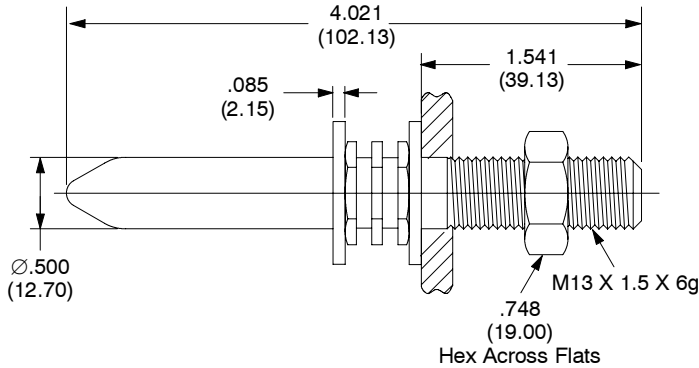
**Ø .500" (12.70mm) CONTACTS**

Materials: ..... Beryllium copper wires and brass body  
 Plating: ..... Gold over nickel  
 Resistance: ..... < .08 milliohms  
 Current Rating: ..... 350 amps  
 Extraction Force: ..... Min. 9 lbs., Max 20 lbs.  
 Life: ..... 100,000 cycles

Plating Reference  
 Male Pins: G = 10 µin gold (min) over Ni  
 H = 50 µin gold (min) over Ni  
 Female Sockets: AH = 50 µin gold (min) over Ni on mating surface, gold flash over Ni on termination

**MALE CONTACTS (PINS)**

**FEMALE CONTACTS (SOCKETS)**



**YPN127-004G**  
**YPN127-004H**

**YSK127-004AH**

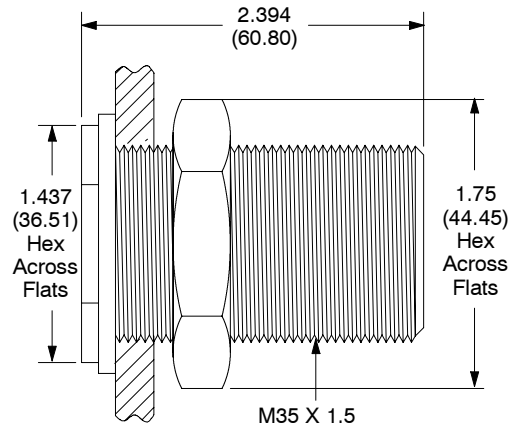
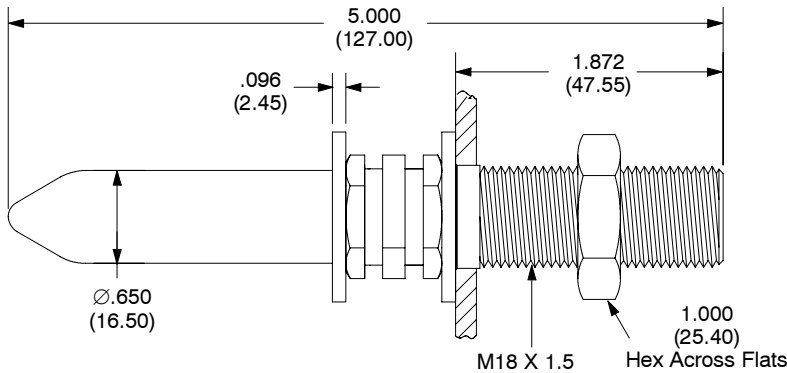
**Ø .650" (16.50mm) CONTACTS**

Materials: ..... Beryllium copper wires and brass body  
 Plating: ..... Gold over nickel  
 Resistance: ..... < .04 milliohms  
 Current Rating: ..... 500 amps  
 Extraction Force: ..... Min. 20 lbs., Max 37 lbs.  
 Life: ..... > 100,000 cycles

Plating Reference  
 Male Pins: G = 10 µin gold (min) over Ni  
 H = 50 µin gold (min) over Ni  
 Female Sockets: AH = 50 µin gold (min) over Ni on mating surface, gold flash over Ni on termination

**MALE CONTACTS (PINS)**

**FEMALE CONTACTS (SOCKETS)**



**YPN165-002G**  
**YPN165-002H**

**YSK165-001AH**  
 Consult factory for availability)

Consult factory for availability)

**Notes**

1) Dimensions in inches (mm).