



FCIconnect.com

Copyright FCI



A

B

C

D

List of "SFV\_\_R-1/2STE1LF" customer document

DOCUMENT NO.	LIST
SC-SFV03	SPEC.
JSA96144	CAT.NO.TABLE FOR 0.5mm CONTACT SPACING CONNECTOR (SFV__R-1/2ST_LF)
JSA96145	CONNECTOR USED FOR FPC/FFC WITH 0.5mm CONTACT SPACING (SFV__R-1ST_LF)
JSA96146	CONNECTOR USED FOR FPC/FFC WITH 0.5mm CONTACT SPACING (SFV__R-2ST_LF)
JSA96147	CAT.NO.TABLE FOR PLASTIC TAPE PACKAGED 0.5mm CONTACT SPACING CONNECTOR (SFV__R-1/2STE1LF)
JSA96148	PLASTIC TAPE PACKAGED 0.5mm CONTACT SPACING CONNECTOR (SFV__R-1STE1LF)
JSA96149	PLASTIC TAPE PACKAGED 0.5mm CONTACT SPACING CONNECTOR (SFV__R-2STE1LF)
JSA92456	RECOMMENDED CABLE (FPC) (SFV__R-1/2ST__)
JSA92457	RECOMMENDED CABLE (FFC) (SFV__R-1/2ST__)
BJM-SFV101	HANDLING PROCEDURES

mat'l. code				surface ISO 1302 <input checked="" type="checkbox"/>		tolerance ISO 406 ISO 1101		projection		product family 58EF	
ltr	ecn no	dr	date	tolerances unless otherwise specified				 scale $\chi$		title 0.5mm SPACING FPC/FFC CONNECTOR DOCUMENT LIST (Cat. No. : SFV__R-1/2STE1LF)	
A	J04-0462	H.T	'04/12/17	angles		linear					
B	J05-0227	H.T	'05/4/14								
C	J06-0372	H.T	'06/9/7					 dwg no JSA 96143 sheet 1 of 1 size A4 type Product Customer Drawing			
				dr	<i>H. Takahashi</i>	9/7/06					
				enr	<i>H. Takahashi</i>	9/7/06					
				chr	<i>R. Shouji</i>	9/8/06					
				appd	<i>Bladai</i>	9/11/06					
sheet index	revision sheet	C	1								Rev. C

form: A4

1

25-05300

PDM: Rev:C

STATUS: Released

Printed: Dec 18, 2007

2

A

B

C

D

CAT. NO. & DIMENSIONS

NO. OF CONTACTS (n)	CAT. NO.	DIMENSIONS (NOTE2)			
		A ± 0.2	B ± 0.2	C ± 0.1	D ± 0.1
4	SFV4R-1/2ST__LF	7.5	5.9	1.5	2.7
5	SFV5R-1/2ST__LF	8.0	6.4	2.0	3.2
6	SFV6R-1/2ST__LF	8.5	6.9	2.5	3.7
7	SFV7R-1/2ST__LF	9.0	7.4	3.0	4.2
8	SFV8R-1/2ST__LF	9.5	7.9	3.5	4.7
9	SFV9R-1/2ST__LF	10.0	8.4	4.0	5.2
10	SFV10R-1/2ST__LF	10.5	8.9	4.5	5.7
11	SFV11R-1/2ST__LF	11.0	9.4	5.0	6.2
12	SFV12R-1/2ST__LF	11.5	9.9	5.5	6.7
13	SFV13R-1/2ST__LF	12.0	10.4	6.0	7.2
14	SFV14R-1/2ST__LF	12.5	10.9	6.5	7.7
15	SFV15R-1/2ST__LF	13.0	11.4	7.0	8.2
16	SFV16R-1/2ST__LF	13.5	11.9	7.5	8.7
17	SFV17R-1/2ST__LF	14.0	12.4	8.0	9.2
18	SFV18R-1/2ST__LF	14.5	12.9	8.5	9.7
19	SFV19R-1/2ST__LF	15.0	13.4	9.0	10.2
20	SFV20R-1/2ST__LF	15.5	13.9	9.5	10.7
21	SFV21R-1/2ST__LF	16.0	14.4	10.0	11.2
22	SFV22R-1/2ST__LF	16.5	14.9	10.5	11.7
23	SFV23R-1/2ST__LF	17.0	15.4	11.0	12.2
24	SFV24R-1/2ST__LF	17.5	15.9	11.5	12.7
25	SFV25R-1/2ST__LF	18.0	16.4	12.0	13.2
26	SFV26R-1/2ST__LF	18.5	16.9	12.5	13.7
27	SFV27R-1/2ST__LF	19.0	17.4	13.0	14.2
28	SFV28R-1/2ST__LF	19.5	17.9	13.5	14.7
29	SFV29R-1/2ST__LF	20.0	18.4	14.0	15.2
30	SFV30R-1/2ST__LF	20.5	18.9	14.5	15.7
31	SFV31R-1/2ST__LF	21.0	19.4	15.0	16.2
32	SFV32R-1/2ST__LF	21.5	19.9	15.5	16.7
33	SFV33R-1/2ST__LF	22.0	20.4	16.0	17.2
34	SFV34R-1/2ST__LF	22.5	20.9	16.5	17.7
35	SFV35R-1/2ST__LF	23.0	21.4	17.0	18.2

**SFV4R-2STE1LF**

CAT. NO. SFV (n) R - 1 ST \_\_ LF

SERIES NAME

NO. OF CONTACTS

RIGHT ANGLE TYPE

FOR FPC/FFC, CONTACT DIRECTION

1. LOWER CONTACT TYPE  
2. UPPER CONTACT TYPE

FOR AUTOMATIC MOUNTING (SMT)

PACKAGE STYLE

LEAD FREE

NOTES

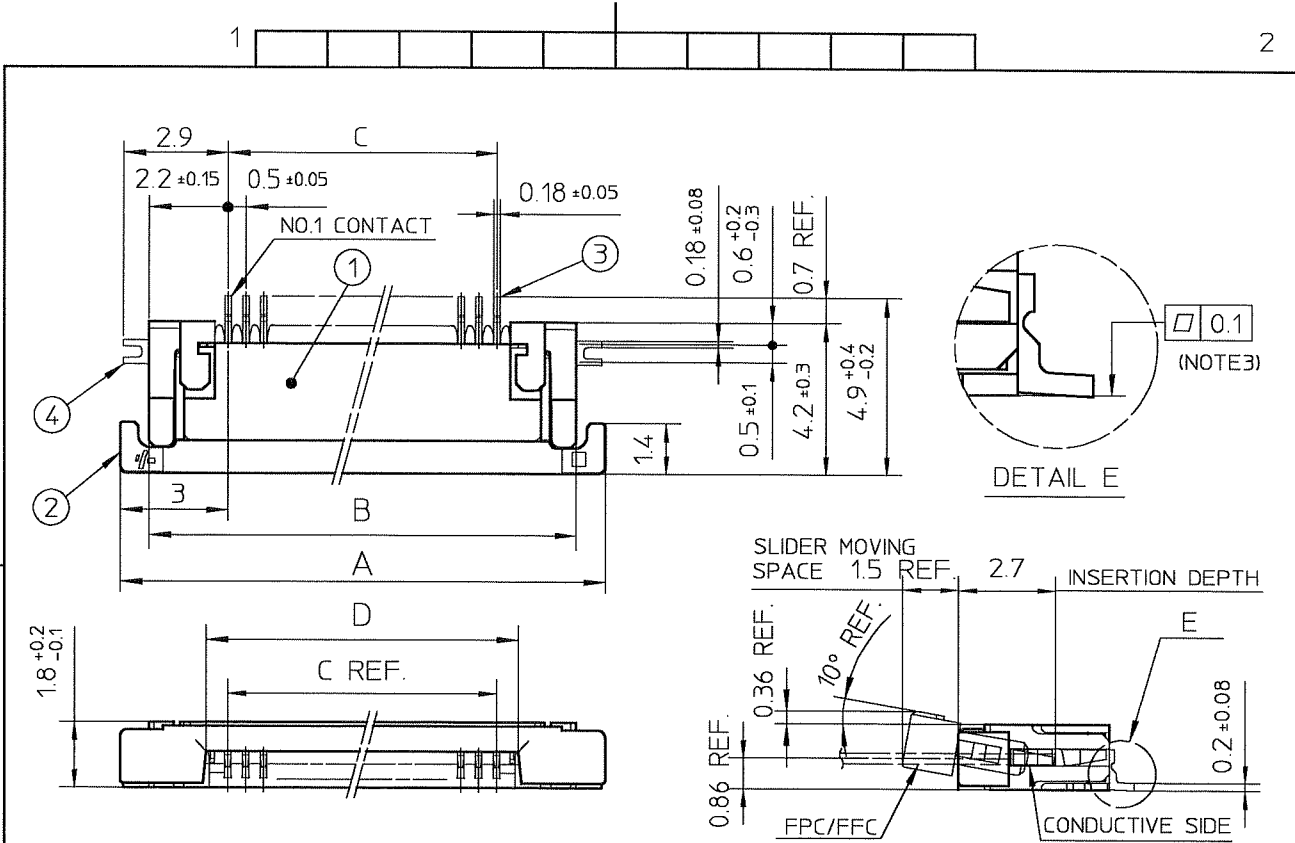
- THIS PRODUCT IS THE CONNECTOR USED FOR FPC AND COPES WITH AUTOMATIC MOUNTING (SMT).
- SEE PART DRAWINGS FOR DIMENSIONS A-D.



FCIconnect.com

Copyright FCI

mat'l. code				surface ISO 1302 ✓		tolerance ISO 406 ISO 1101		projection		product family 58EF			
litr ecn no dr date				tolerances unless otherwise specified						title			
A J04-0462 H.T '04/12/17				angles linear						CAT. NO. TABLE FOR 0.5 mm CONTACT SPACING CONNECTOR (Cat. No. : SFV__R-1/2ST__LF)			
B J05-0227 H.T '05/4/14										dwg no sheet 1 of 1 size			
C J06-0372 H.T '06/9/17				dr engr chr appd						JSA 96144 A4			
										type Product Customer Drawing			
sheet index		revision sheet		C 1								Rev. C	

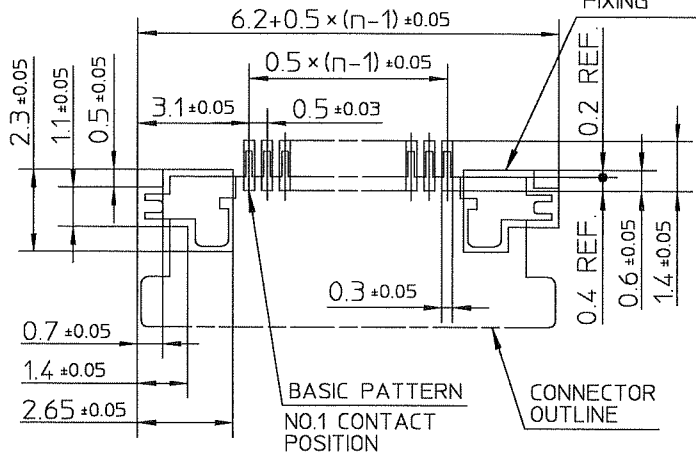


PT. NO.	PARTS NAME	MATERIAL	Q'TY	NOTE
1	HOUSING	POLYAMIDE RESIN GLASS REINFORCED (UL94V-0)	1	COLOR : BLACK
2	SLIDER	PPS RESIN GLASS REINFORCED (UL94V-0)	1	COLOR : BROWN
3	CONTACT	PHOSPHOR BRONZE	n	PLATING : MATTE PURE TIN Ni UNDER PLATED (LEAD FREE)
4	MOUNTING PLATE		2	

RECOMMENDED PC BOARD LAYOUT  
(COMPONENT SIDE)

PATTERN FOR MOUNTING PLATE  
FIXING

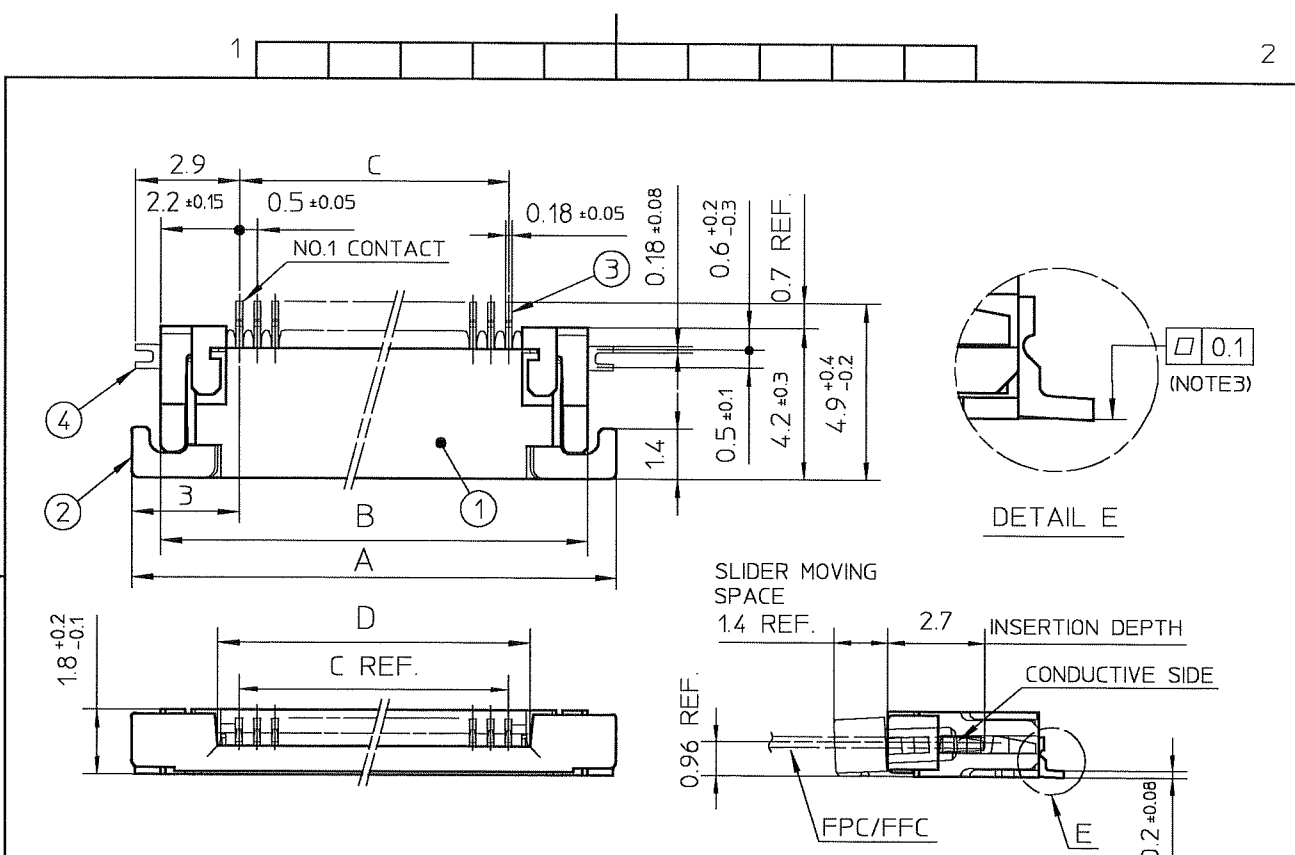
n : NO. OF CONTACTS



- NOTES
1. THIS PRODUCT IS THE CONNECTOR USED FOR FPC/FFC AND COPE WITH AUTOMATIC MOUNTING (SMT).
  2. THIS PRODUCT IS LOWER CONTACT TYPE CONNECTOR.
  3. FLATNESS OF CONTACT TERMINAL AND MOUNTING PLATE MUST BE WITHIN TOLERANCE IN E PORTION DETAILED DRAWING.
  4. THIS PRODUCT MEETS EUROPEAN UNION DIRECTIVES AND OTHER COUNTRY REGULATIONS AS DESCRIBED IN GS-22-008.
  5. THE HOUSING WILL WITHSTAND EXPOSURE TO 260°C PEAK TEMPERATURE FOR 10 SECONDS IN A REFLOW SOLDERING OVEN.

mat'l. code				surface ISO 1302	tolerance ISO 406 ISO 1101	projection	product family 58EF
ltr	ecn no	dr	date	tolerances unless otherwise specified			title CONNECTOR USED FOR FPC/FFC WITH 0.5 mm CONTACT SPACING (Cat No. : SFV__R-1ST__LF)
A	J04-0462	H.T	'04/12/17	angles	linear ±0.2		
B	J05-0227	H.T	'05/4/14				dwg no JSA 96145 sheet 1 of 1 size A4
C	J05-0710	H.T	'05/10/21				
D	J06-0064	H.T	'06/2/23	dr	<i>H. Hoshino</i> 9/9/06		type Product Customer Drawing
E	J06-0372	H.T	'06/9/17	enfr	<i>H. Hoshino</i> 9/9/06		
				chr	<i>R. Stewart</i> 9/8/06		
				appd	<i>S. Okada</i> 9/10/06		
sheet index	revision sheet	E	1				Rev. E

SC-SFV03 JSA96144 form: A4

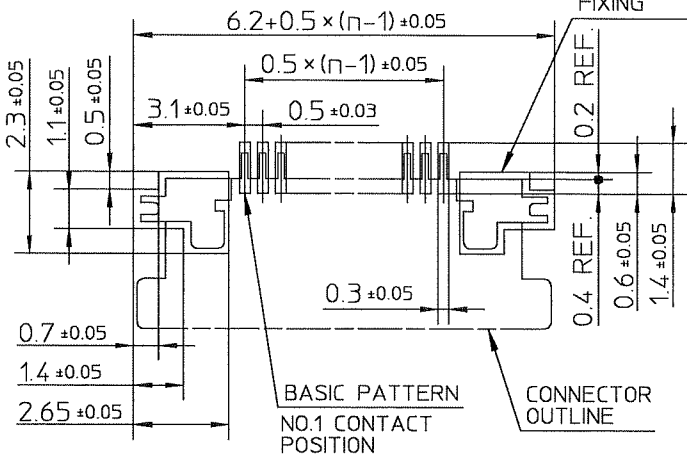


PT. NO.	PARTS NAME	MATERIAL	Q'TY	NOTE
1	HOUSING	POLYAMIDE RESIN GLASS REINFORCED (UL94V-0)	1	COLOR : BLACK
2	SLIDER	PPS RESIN GLASS REINFORCED (UL94V-0)	1	COLOR : BROWN
3	CONTACT	PHOSPHOR BRONZE	n	PLATING : MATTE PURE TIN Ni UNDER PLATED (LEAD FREE)
4	MOUNTING PLATE		2	

RECOMMENDED PC BOARD LAYOUT  
(COMPONENT SIDE)

PATTERN FOR MOUNTING PLATE FIXING

n : NO. OF CONTACTS



NOTES

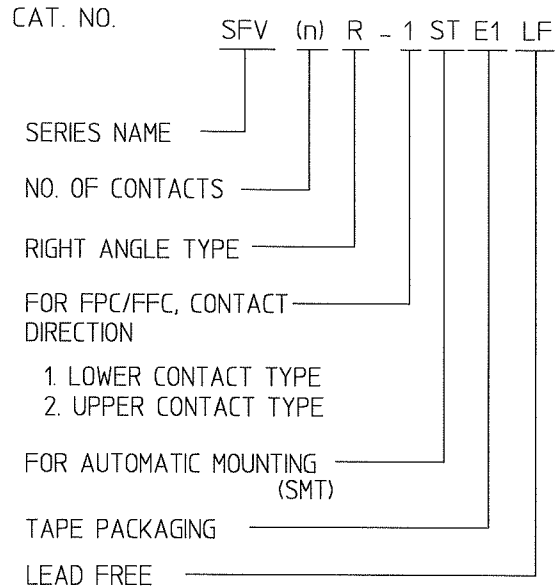
1. THIS PRODUCT IS THE CONNECTOR USED FOR FPC/FFC AND COPES WITH AUTOMATIC MOUNTING (SMT).
2. THIS PRODUCT IS UPPER CONTACT TYPE CONNECTOR.
3. FLATNESS OF CONTACT TERMINAL AND MOUNTING PLATE MUST BE WITHIN TOLERANCE IN E PORTION DETAILED DRAWING.
4. THIS PRODUCT MEETS EUROPEAN UNION DIRECTIVES AND OTHER COUNTRY REGULATIONS AS DESCRIBED IN GS-22-008.
5. THE HOUSING WILL WITHSTAND EXPOSURE TO 260°C PEAK TEMPERATURE FOR 10 SECONDS IN A REFLOW SOLDERING OVEN.

mat'l. code				surface ISO 1302 ✓		tolerance ISO 406 ISO 1101		projection		product family 58EF	
litr ecn no dr date				tolerances unless otherwise specified						title	
A J04-0462 H.T '04/12/17				angles linear ±0.2						CONNECTOR USED FOR FPC/FFC WITH 0.5 mm CONTACT SPACING (Cat. No. : SFV__R-2ST__LF)	
B J05-0227 H.T '05/4/14								scale X		dwg no sheet 1 of 1 size	
C J05-0710 H.T '05/10/21										JSA 96146 A4	
D J06-0064 H.T '06/2/23				dr						type Product Customer Drawing	
E J06-0372 H.T '06/9/17				engr						Rev. E	
				chr							
				appd							
sheet index		revision sheet		E 1							

SC-SFV03 JSA96144 form: A4

CAT. NO. & DIMENSIONS

NO. OF CONTACTS (n)	CAT. NO.	DIMENSIONS (NOTE3)		
		F ± 5	G ± 0.3	H ± 0.1
4	SFV4R-1/2STE1LF	20.4	16	—
5	SFV5R-1/2STE1LF	20.4	16	—
6	SFV6R-1/2STE1LF	20.4	16	—
7	SFV7R-1/2STE1LF	28.4	24	—
8	SFV8R-1/2STE1LF	28.4	24	—
9	SFV9R-1/2STE1LF	28.4	24	—
10	SFV10R-1/2STE1LF	28.4	24	—
11	SFV11R-1/2STE1LF	28.4	24	—
12	SFV12R-1/2STE1LF	28.4	24	—
13	SFV13R-1/2STE1LF	28.4	24	—
14	SFV14R-1/2STE1LF	28.4	24	—
15	SFV15R-1/2STE1LF	28.4	24	—
16	SFV16R-1/2STE1LF	28.4	24	—
17	SFV17R-1/2STE1LF	28.4	24	—
18	SFV18R-1/2STE1LF	28.4	24	—
19	SFV19R-1/2STE1LF	28.4	24	—
20	SFV20R-1/2STE1LF	28.4	24	—
21	SFV21R-1/2STE1LF	28.4	24	—
22	SFV22R-1/2STE1LF	28.4	24	—
23	SFV23R-1/2STE1LF	36.4	32	28.4
24	SFV24R-1/2STE1LF	36.4	32	28.4
25	SFV25R-1/2STE1LF	36.4	32	28.4
26	SFV26R-1/2STE1LF	36.4	32	28.4
27	SFV27R-1/2STE1LF	36.4	32	28.4
28	SFV28R-1/2STE1LF	36.4	32	28.4
29	SFV29R-1/2STE1LF	36.4	32	28.4
30	SFV30R-1/2STE1LF	36.4	32	28.4
31	SFV31R-1/2STE1LF	48.4	44	40.4
32	SFV32R-1/2STE1LF	48.4	44	40.4
33	SFV33R-1/2STE1LF	48.4	44	40.4
34	SFV34R-1/2STE1LF	48.4	44	40.4
35	SFV35R-1/2STE1LF	48.4	44	40.4



NOTES

1. THIS PRODUCT IS THE CONNECTOR USED FOR FPC/FFC AND COPES WITH AUTOMATIC MOUNTING (SMT).
2. THIS CATALOG NO. INDICATES PLASTIC TAPE PACKAGED CONNECTOR.
3. SEE PART DRAWINGS FOR DIMENSIONS F-H.

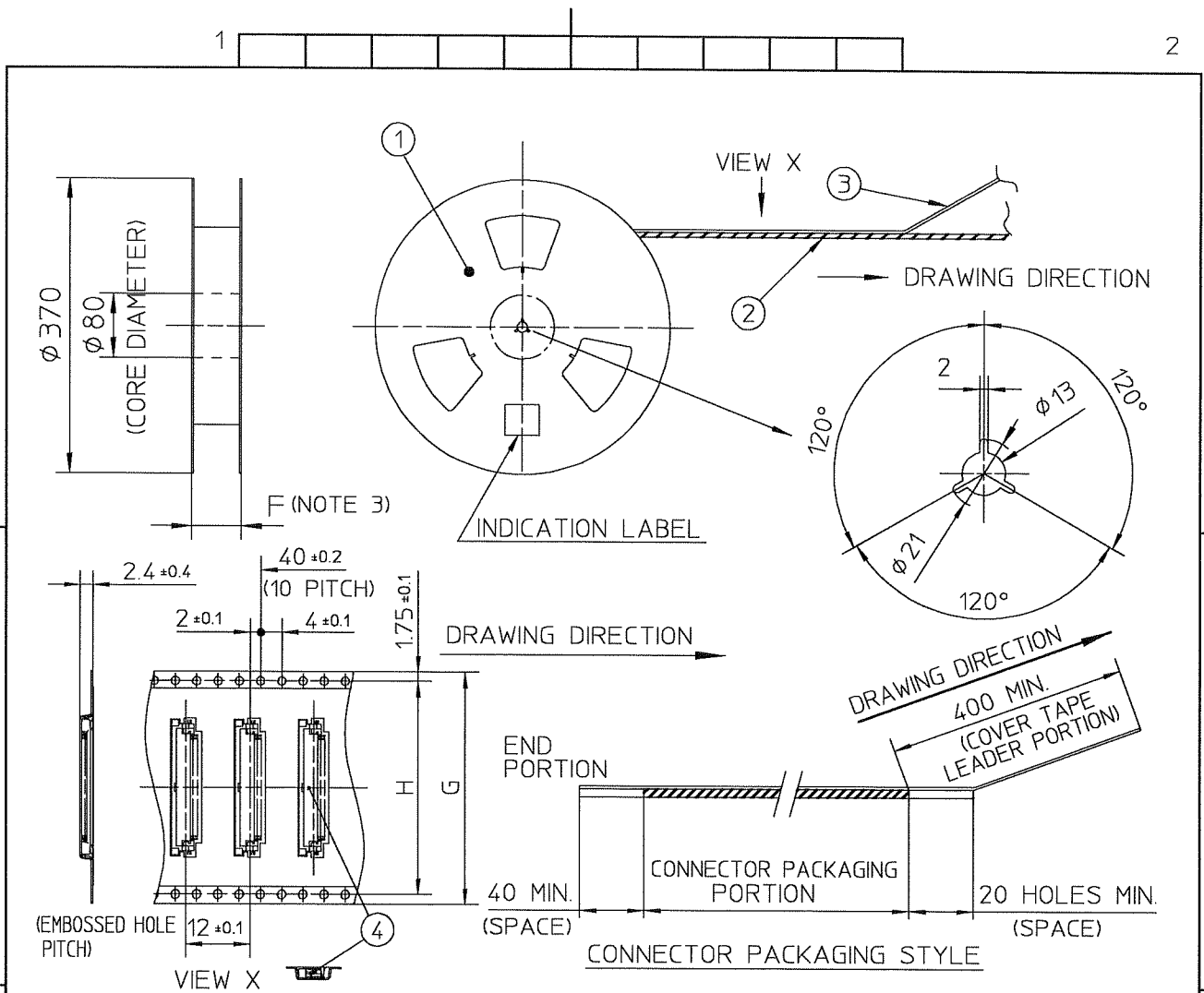


FCIconnect.com

Copyright FCI

mat'l. code				surface ISO 1302 ✓		tolerance ISO 406 ISO 1101		projection		product family 58EF			
ltr ecn no dr date				tolerances unless otherwise specified						title			
A J04-0462 H.T '04/12/17				angles linear						CAT. NO. TABLE FOR PLASTIC TAPE PACKAGED 0.5 mm CONTACT SPACING CONNECTOR (Cat. No. : SFV__R-1/2STE1LF)			
B J05-0227 H.T '05/11/14										dwg no sheet 1 of 1 size			
C J06-0372 H.T '06/9/17				dr		9/7/06				JSA 96147 A4			
				engr		9/7/06				type Product Customer Drawing			
				chr		9/8/06				Rev. C			
				appd		9/11/06							
sheet index		revision sheet		C 1									

SC-SFV03 JSA96144 form: A4



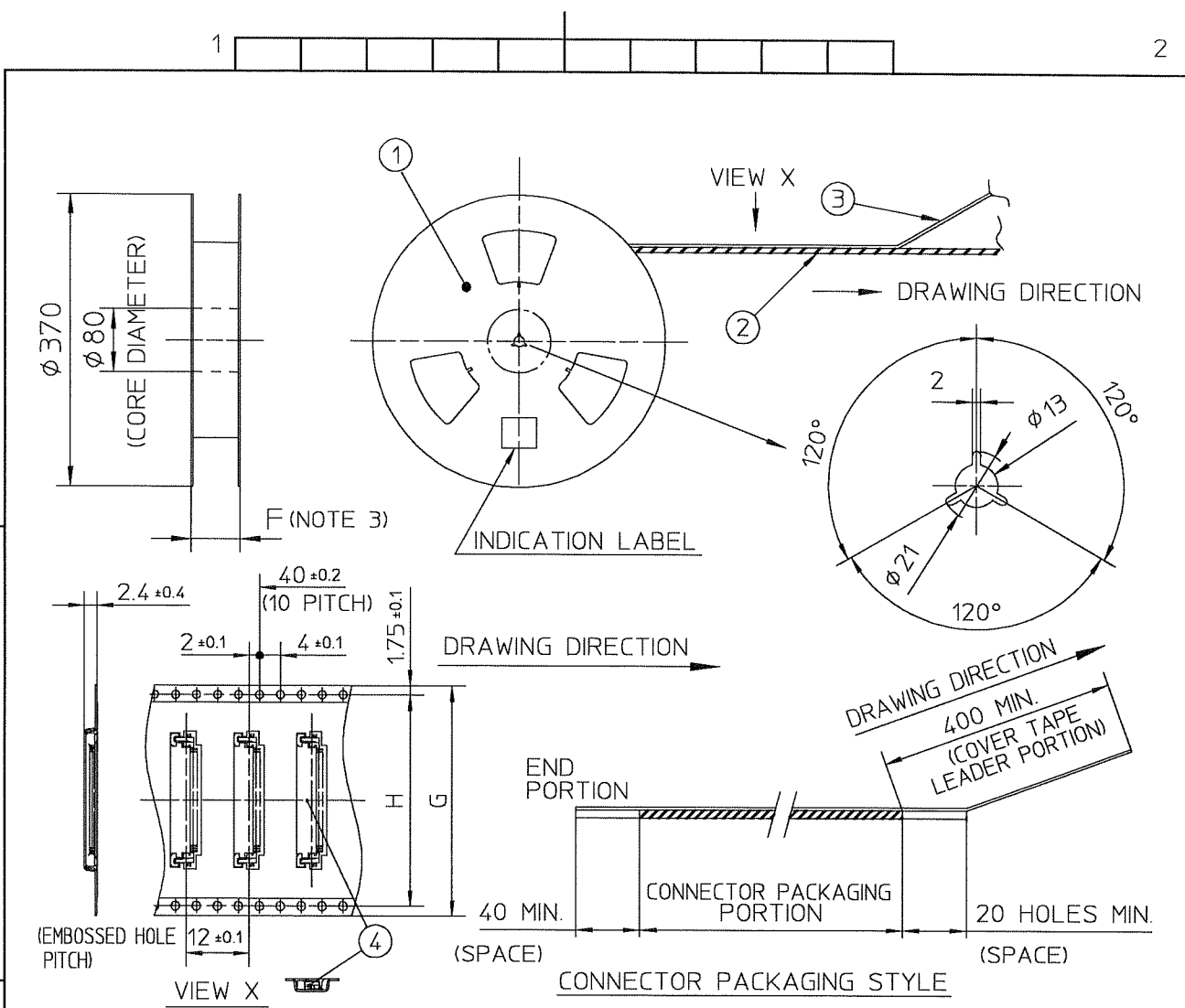
PT. NO.	PARTS NAME	CAT. NO.	MATERIAL	Q'TY	NOTE
1	REEL	_____	CARDBOARD	1	COLOR : WHITE
2	PLASTIC (EMBOSS) TAPE	_____	A-PET	_____	COLOR : TRANSPARENCY
3	COVER	_____	POLYESTER	_____	COLOR : TRANSPARENCY
4	CONNECTOR	SFV__R-1ST__LF	SEE ATTACHED DWG.	3000	LOWER CONTACT TYPE

NOTES

1. THIS IS PLASTIC TAPE PACKAGED CONNECTOR USED FOR FPC AND COPES WITH AUTOMATIC MOUNTING (SMT).
2. SEE JIS C 0806 (PACKING OF ELECTRONIC COMPONENTS ON CONTINUOUS TAPES (SURFACE MOUNTING DEVICES)) FOR SHAPE AND DIMENSIONS OF PLASTIC (EMBOSS) TAPE AND REEL.
3. F DIMENSION IS PORTION OF THE CORE.

mat'l. code		surface ISO 1302 ✓		tolerance ISO 406 ISO 1101		projection		product family 58EF	
ltr	ecn no	dr	date	tolerances unless otherwise specified				title PLASTIC TAPE PACKAGED 0.5 mm CONTACT SPACING CONNECTOR (Cat. No. : SFV__R-1STE1LF)	
A	J04-0462	H.T	'04/12/17	angles	linear				
B	J05-0227	H.T	'05/4/14	±5°			scale X		
C	J06-0372	H.T	'06/9/17	dr			dwg no		
				enr			sheet 1 of 1		
				chr			JSA 96148		
				appd			size A4		
sheet index		revision	C					type Product Customer Drawing	
		sheet	1					Rev. C	

SC-SFV03 JSA96144  
form: A4



PT. NO.	PARTS NAME	CAT. NO.	MATERIAL	Q'TY	NOTE
1	REEL	—	CARDBOARD	1	COLOR : WHITE
2	PLASTIC (EMBOSS) TAPE	—	A-PET	—	COLOR : TRANSPARENCY
3	COVER	—	POLYESTER	—	COLOR : TRANSPARENCY
4	CONNECTOR	SFV_R-2ST_LF	SEE ATTACHED DWG.	3000	UPPER CONTACT TYPE

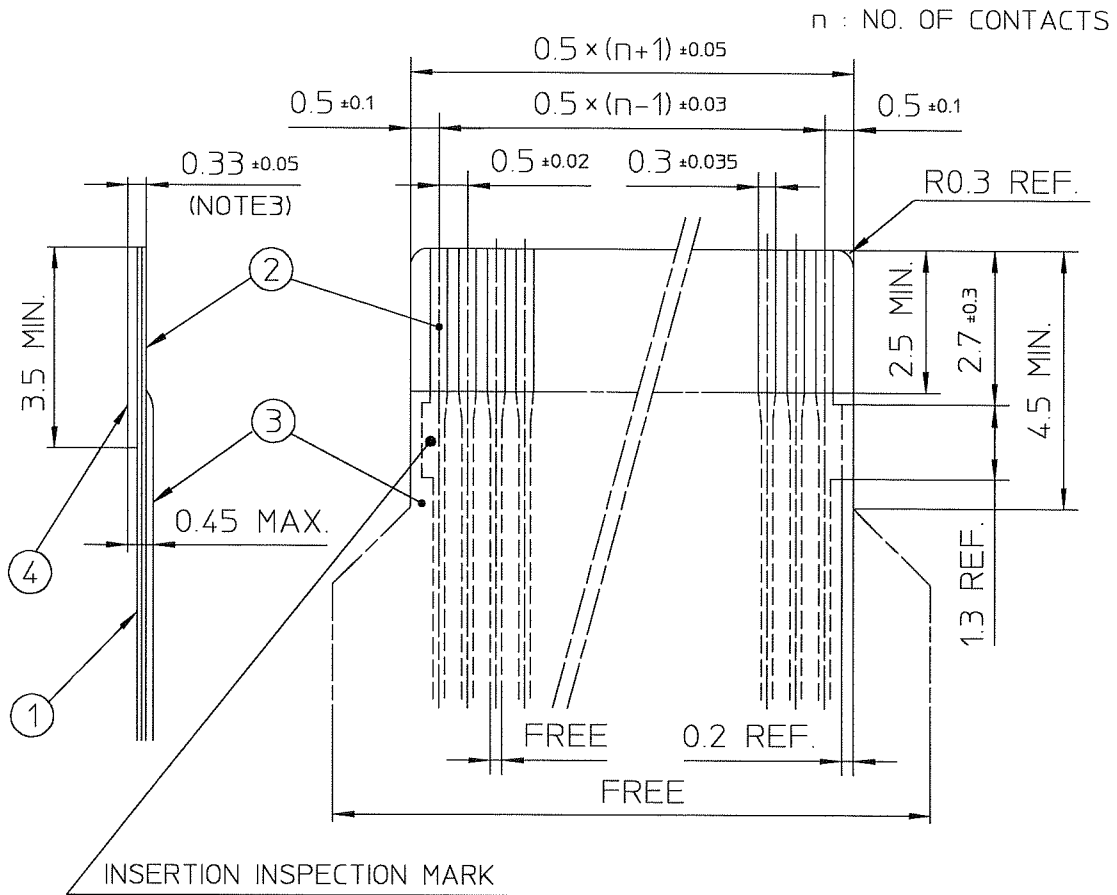
NOTES

1. THIS IS PLASTIC TAPE PACKAGED CONNECTOR USED FOR FPC AND COPES WITH AUTOMATIC MOUNTING (SMT).
2. SEE JIS C 0806 (PACKING OF ELECTRONIC COMPONENTS ON CONTINUOUS TAPES (SURFACE MOUNTING DEVICES)) FOR SHAPE AND DIMENSIONS OF PLASTIC (EMBOSS) TAPE AND REEL.
3. F DIMENSION IS PORTION OF THE CORE.

mat'l. code				surface ISO 1302 ✓		tolerance ISO 406 ISO 1101		projection		product family 58EF	
ltr ecn no dr date				tolerances unless otherwise specified				⊕		title	
A	J04-0462	H.T	'04/12/17	angles		±5		→		PLASTIC TAPE PACKAGED 0.5 mm CONTACT SPACING CONNECTOR (Cat. No. : SFV__R-2STE1LF)	
B	J05-0227	H.T	'05/4/14	linear				↔			
C	J06-0372	H.T	'06/9/7	±5°				scale X		dwg no sheet 1 of 1 size	
				dr		9/7/06				JSA 96149 A4	
				enr		9/7/06					
				chr		9/8/06					
				appd		9/6/06					
sheet index		revision sheet		C 1						Rev. C	

SC-SFV03 JSA96144 form: A4

RECOMMENDED CABLE (FPC)



PT. NO.	PARTS NAME	MATERIAL	THICKNESS(μm)
1	BASE FILM	POLYIMIDE OR POLYESTER OR EQUAL	25
2	CONDUCTOR	COPPER FOIL(PLATING : SOLDER 1μm MIN.)	35
3	OVERLAY	POLYIMIDE OR POLYESTER OR EQUAL	—
4	SUPPORTING TAPE	POLYESTER OR POLYIMIDE OR EQUAL	188

NOTES

1. NO BURR AT EACH PORTION.
2. NO PEELING IN COMMON USE.
3. TOTAL THICKNESS LIMIT OF EACH MATERIAL (INCLUDING ADHESIVE AGENT) IS SPECIFIED.

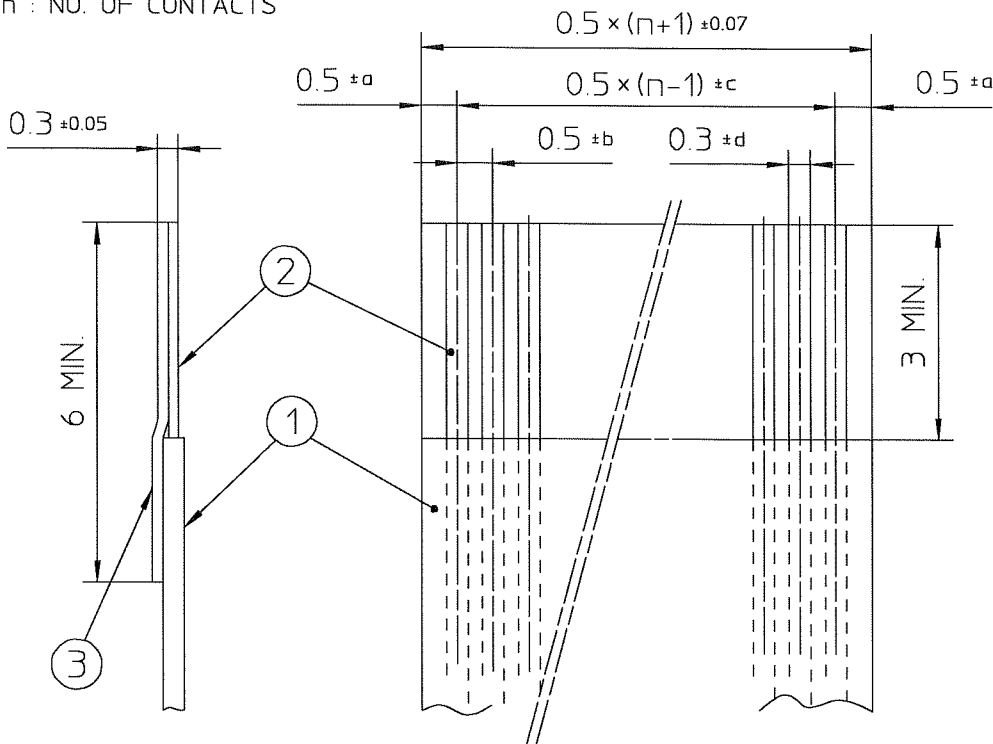
mat'l. code				surface ISO 1302 ✓		tolerance ISO 406 ISO 1101		projection		product family 58EF	
ltr				ecn no				dr		date	
1				—				M.H		'94/12/8	
AA				J03-0196				H.T		'03/5/1	
AB				J06-0372				H.T		'06/9/7	
				dr				engr		9/9/06	
				engr				chr		9/7/06	
				chr				appd		9/8/06	
				appd				S. Andaman		9/11/06	
								scale X		FCJ	
										dwg no JSA 92456	
										sheet 1 of 1 size A4	
										type Product Customer Drawing	
sheet index		revision sheet		AB		1				Rev. AB	

SC-SFV01 JSA92450 form: A4



RECOMMENDED CABLE (FFC)

n : NO. OF CONTACTS



KIND OF FFC (NOTE3)	DIMENSIONAL TOLERANCE			
	a	b	c	d
1	±0.07	±0.04	±0.05	±0.02
2	±0.1	±0.03	±0.03	±0.025

PT. NO.	PARTS NAME	MATERIAL	NOTE
1	INSULATOR	FLAME RESISTING POLYESTER OR EQUAL	_____
2	CONDUCTOR	COPPER FOIL:THICKNESS 35 OR 50 μm	PLATING: TIN OR SOLDER 1 μm MIN.
3	SUPPORTING TAPE	FLAME RESISTING POLYESTER OR EQUAL	_____

NOTES

1. NO BURR AT EACH PORTION.
2. NO PEELING IN COMMON USE.
3. EITHER KIND1 OR KIND2 OF FFC CAN ACCEPT DIMENSIONAL TOLERANCE a,b,c AND d.

mat'l. code				surface ISO 1302 ✓		tolerance ISO 406 ISO 1101		projection		product family 58EF			
ltr	ecn no	dr	date	tolerances unless otherwise specified						title			
1	—	S.I	'93/9/9	angles		linear		← →		RECOMMENDED CABLE (Cat. No. : SFV__R-1/2ST__)			
AA	J03-0196	H.T	'03/5/1					scale X		dwg no sheet 1 of 1 size			
AB	J06-0372	H.T	'06/9/7	dr	<i>K. Saito</i>	<i>11/27/06</i>			JSA 92457 A4				
AC	J06-0499	H.T	'06/11/27	engr	<i>K. Saito</i>	<i>11/27/06</i>			type Product Customer Drawing				
				chr	<i>R. Brown</i>	<i>11/27/06</i>							
				appd	<i>S. Madam</i>	<i>11/28/06</i>							
sheet index	revision sheet	AC	1							Rev. AC			

SC-SFV01 JSA92450 form: A4