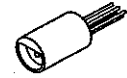
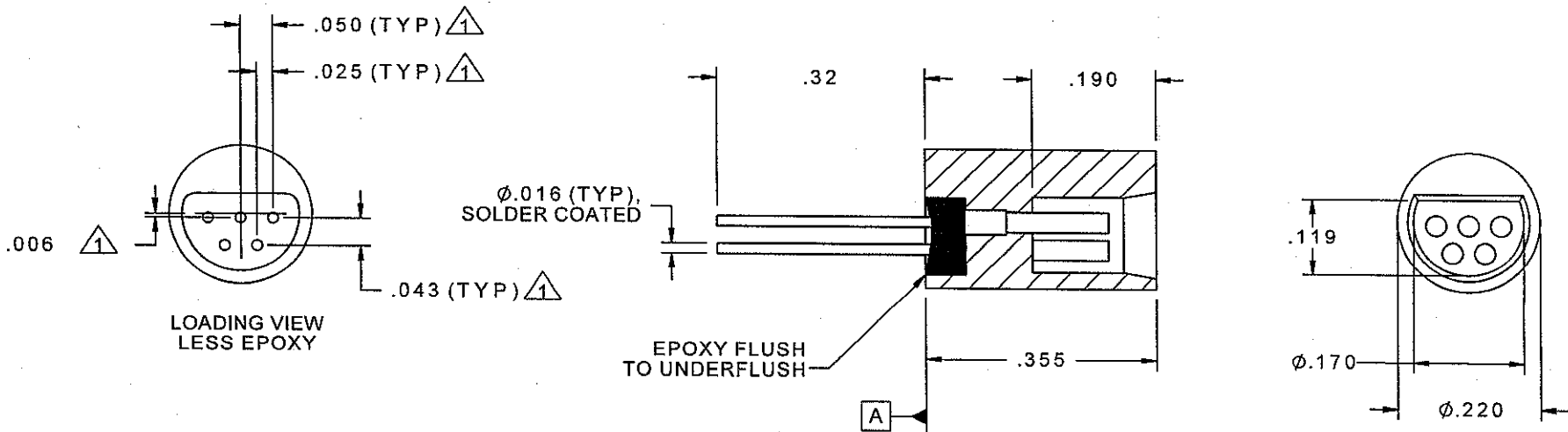


PART NO.	A19552-001	REV	ECO	DATE	APP
		1			



ACTUAL SIZE



*John Stephens*  
 Drawing Approval  
 Date: 3/18/2010

**25-05288**

REF: nLIGHT

NOTE:

$\triangle$  TAIL DIMENSIONS APPLY AT PLANE A

MCS SLDW	THIRD ANGLE $\oplus \ominus$	THIS DRAWING CONTAINS CONFIDENTIAL AND PROPRIETARY INFORMATION WHICH IS THE PROPERTY OF OMNETICS CONNECTOR CORP. THIS DOCUMENT MAY NOT, IN WHOLE OR IN PART, BE DUPLICATED, OR DISCLOSED FOR ANY PURPOSE, WITHOUT WRITTEN PERMISSION FROM OMNETICS CONNECTOR CORP.		<b>OMNETICS</b> CONNECTOR CORPORATION 7260 COMMERCE CIRCLE EAST MINNEAPOLIS, MN 55432 WWW.OMNETICS.COM	CAGE CODE 61873	
	-TOLERANCES- UNLESS OTHERWISE NOTED	DFTM. NJS	DATE 03-17-10		DWG NO. A19552-001	
	DIMENSIONS IN INCHES	CHK'D.	DATE		SHEET 1 OF 1	
	2 PL DEC $\pm .01$ 3 PL DEC $\pm .005$ 4 PL DEC $\pm .0005$ ANGLES $\pm 1^\circ$	APP'D.	DATE		REV 1	SCALE: 4:1