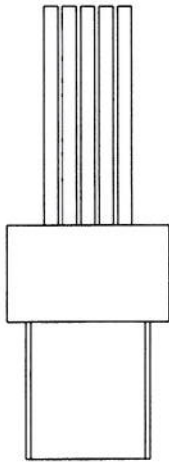
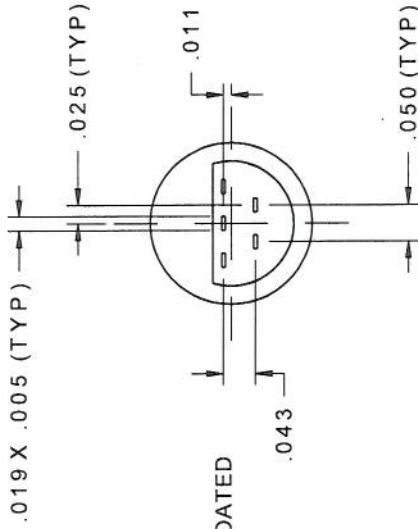
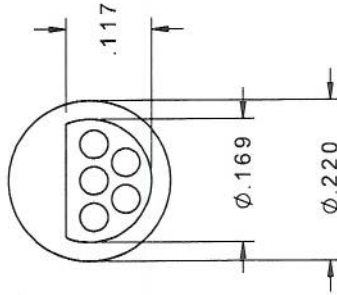


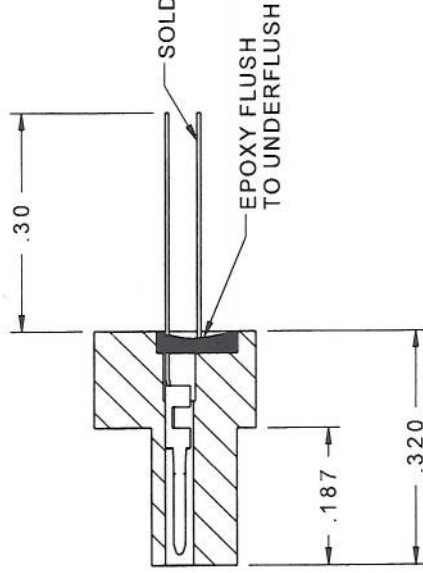
PART NO.	A 19551-001	REV	ECO	DATE	APP
		B	97684	06-07-11	NJS



ACTUAL SIZE



LOADING VIEW
LESS EPOXY



REF: nLIGHT

THIS DRAWING CONTAINS CONFIDENTIAL AND PROPRIETARY INFORMATION WHICH IS THE PROPERTY OF OMNINETICS CONNECTOR CORP. THIS DOCUMENT MAY NOT, IN WHOLE OR IN PART, BE DUPLICATED, OR DISCLOSED FOR ANY PURPOSE, WITHOUT WRITTEN PERMISSION FROM OMNINETICS CONNECTOR CORP.

THIRD ANGLE	DATE
-TOLERANCES-	DFTM. NJS
UNLESS OTHERWISE NOTED	03-17-10
DIMENSIONS IN INCHES	DATE
2 PL DEC: .01	DATE
3 PL DEC: .005	DATE
4 PL DEC: .0005	DATE
ANGLES ± 1°	DATE

TITLE:	
(5) PIN MALE	
MICRO CIRCULAR	
CONNECTOR	

DFTM. NJS	
CHKD.	DATE
APPD.	DATE

MCP

CAGE CODE	61873
DWG NO.	A 19551-001
SHEET 1 OF 1	REV
SCALE: 4:1	B

OMNINETICS
CONNECTOR CORPORATION
7260 COMMERCE CIRCLE EAST
MINNEAPOLIS, MN 55432
WWW.OMNINETICS.COM