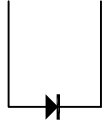
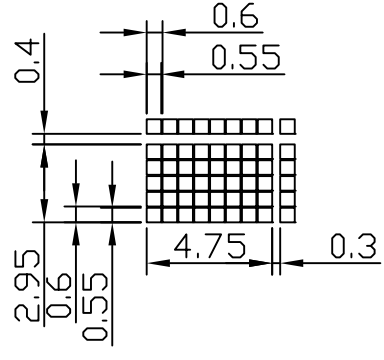
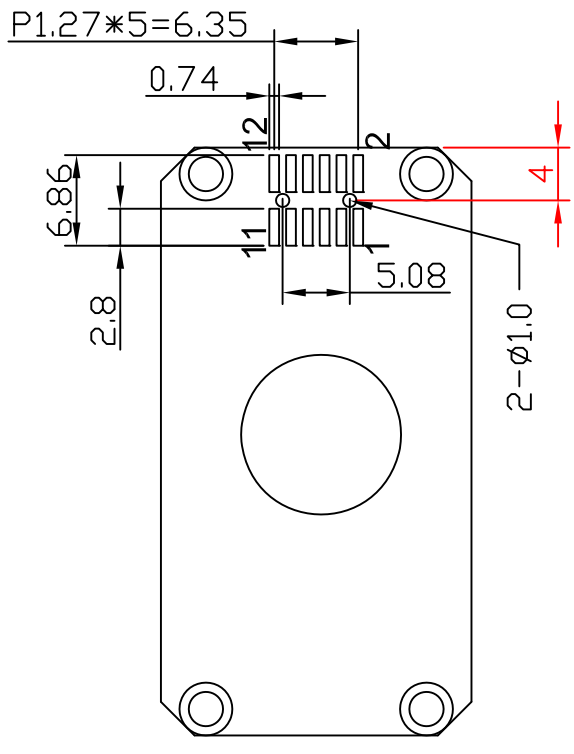
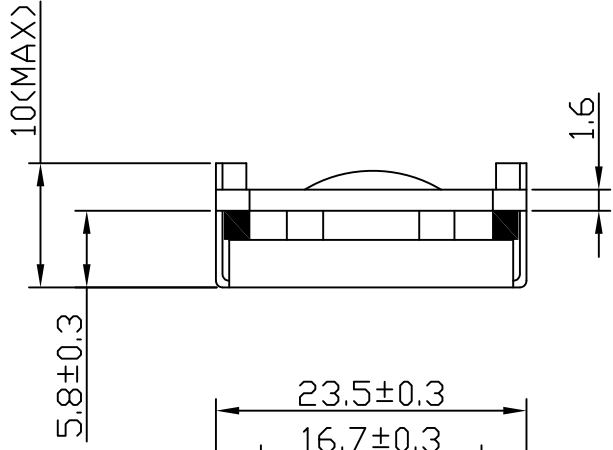
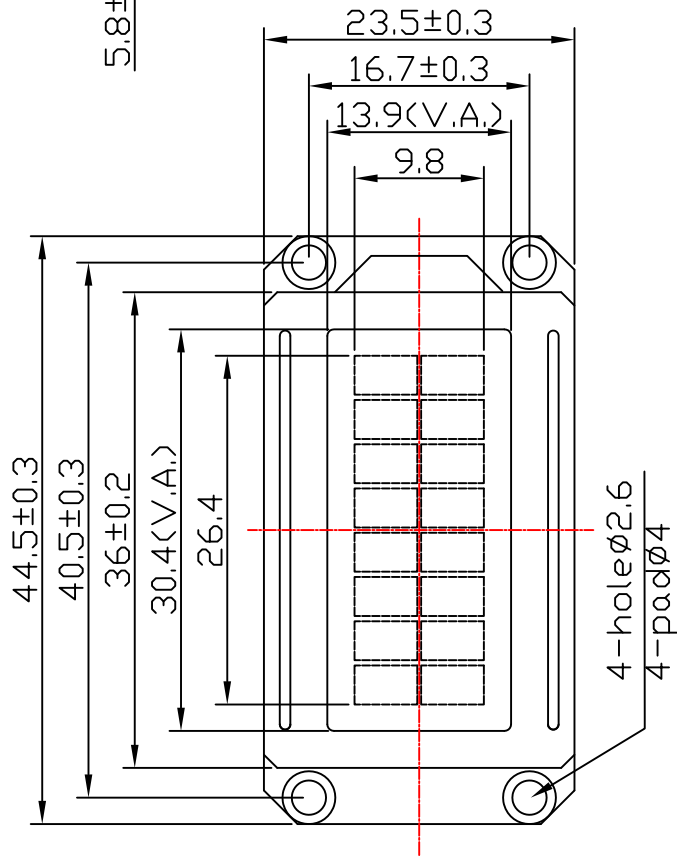


25-05346

1.1	Modification PIN high	2008-10-21
1.2	Modification Female Header	2008-10-24
1.3	Modification Connector	2010-2-7



LED Backlight Circuit

- Notes:
- 1). Driver Method: 1/16duty, 1/5bias, VDD=5.0V, VLCD=4.5V
 - 2). Display Type: STN-Gray/Positive/Transflective
 - 3). Viewing Direction: 6:00
 - 4). BKL type: Edge / Pure-Green/ 5V/ 15mA
 - 5). Operating Temp: -20°C~70°C
 - 6). Storage Temp: -30°C~80°C
 - 7). Driver: SPLC780D/4bit Interface
 - 8). RoHS Compliant
 - 9). Include SAMTEC connector: **FTSH-106-03-S-DV**

PIN ASSIGNMENT

1	VSS
2	VDD
3	V0
4	RS
5	RW
6	E
7~10	DB4~DB7
11	LED+
12	LED-



Model Name: NHD-0208DZ-FSPG-GBW		Drawn: ZJ	Date 12-10-2008	Unit: mm	General Tol: ±0.2
		Check: CL	Date 2-7-2010	Size A4	Page: 1-1