

THIS DRAWING IS UNPUBLISHED.

RELEASED FOR PUBLICATION

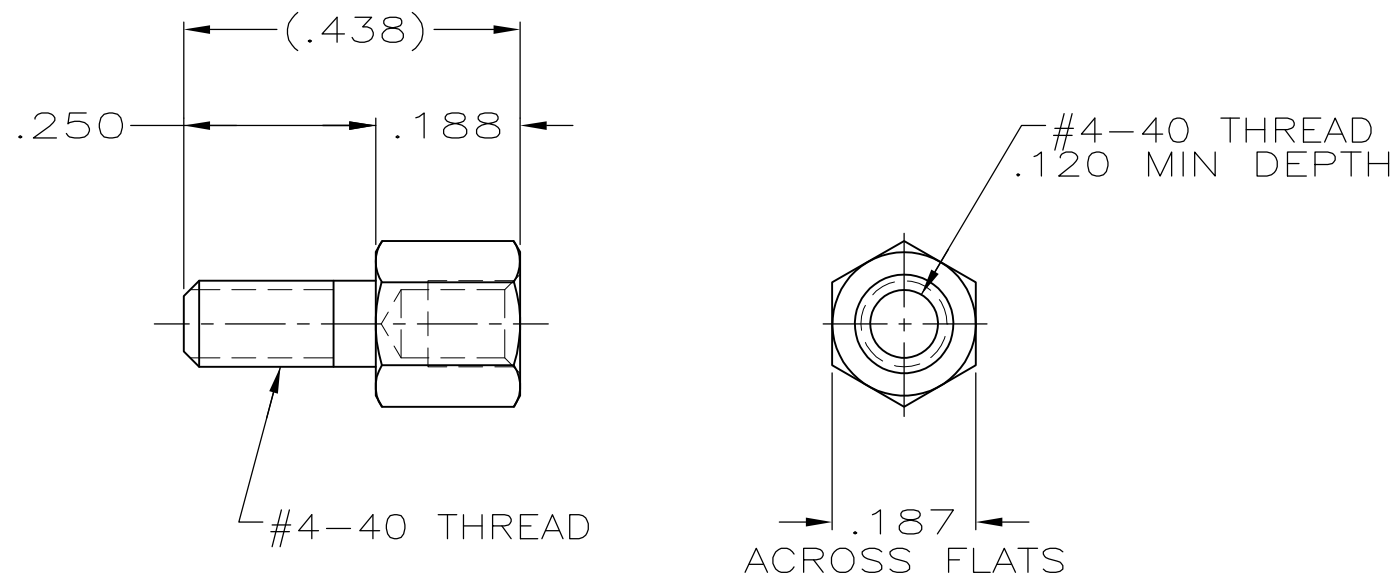
-. - .

© COPYRIGHT - By -

ALL RIGHTS RESERVED.


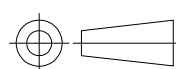
LOC	DIST	REVISIONS					
GP	00	P	LTR	DESCRIPTION	DATE	DWN	APVD
		P		REVISED PER ECO-11-004835	19APR11	RK	HMR

1039909



- 1 ZINC PLATED .000200-.000400 THICK, YELLOW CHROMATE COATING.
- 2 ZINC PLATED .000200-.000400 THICK, CLEAR CHROMATE COATING.

2	5207953-3
1	5207953-2
FINISH	PART NO

THIS DRAWING IS A CONTROLLED DOCUMENT.		DWN	R.RICHARDSON	24JUN05	 <b>TE Connectivity</b>				
DIMENSIONS: INCHES		CHK	C.ROHDE	24JUN05					
		APVD	M.WALMSLEY	24JUN05				NAME	SCREWLOCK, FEMALE, SHORT, AMPLIMITE
TOLERANCES UNLESS OTHERWISE SPECIFIED:		PRODUCT SPEC						APPLICATION SPEC	
MATERIAL	COLD ROLLED STEEL	FINISH	SEE TABLE		WEIGHT	-			
				SIZE	A3	CAGE CODE	00779		
				DRAWING NO	C-5207953		RESTRICTED TO	-	
				CUSTOMER DRAWING	SCALE	4:1	SHEET	1 OF 1	
							REV	P	